



**SINGLE HEAD
PARTS LIST**

VERSION:03000V1

RiCOMA(Shenzhen)Co.,Ltd.



INDEX

01	TABLE GUARD COVER	02
02	ROTARY HOOK BASE	04
03	TRIMMING PART	06
04	ARM	10
05	NEEDLE BAR DRIVING PARTS	14
06	HOOK AND JUMP	18
07	COLOR CHANGE SYSTEM	22
08	NEEDLE BAR CASE 1	24
09	NEEDLE BAR CASE 2	28
10	X-AXIS DRIVE SYSTEM	30
11	Y-AXIS DRIVE SYSTEM	34
12	THREAD TENSION BASE	38
13	THREAD STAND	40
14	ELECTRICAL PARTS	44
15	OPERATION PANEL-RCM-2	46
16	TABLE GUARD COVER	48
17	TABLE GUARD COVER	50
18	CAP FRAME	52
19	FRAME	54
20	STAND	56
21	X-AXIS DRIVE SYSTEM-EW4814	58
22	TABLE-EW4814	60
23	ALUMINUM FRAME-W2214	62

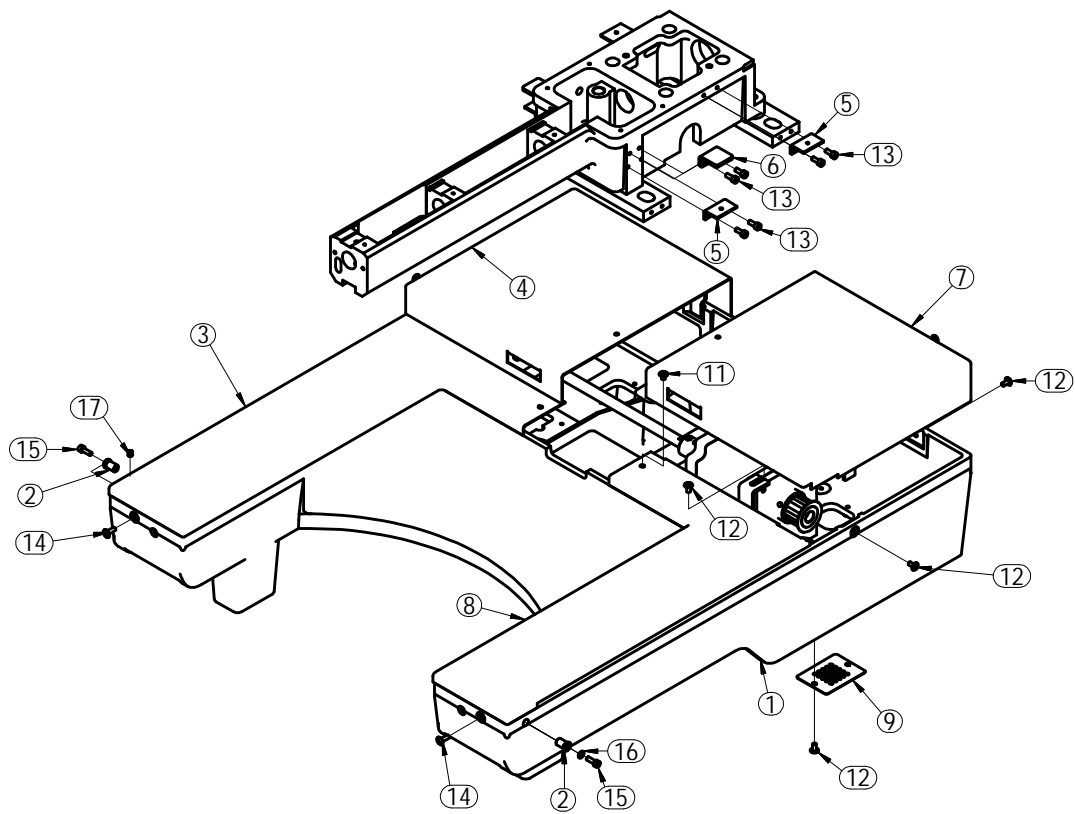
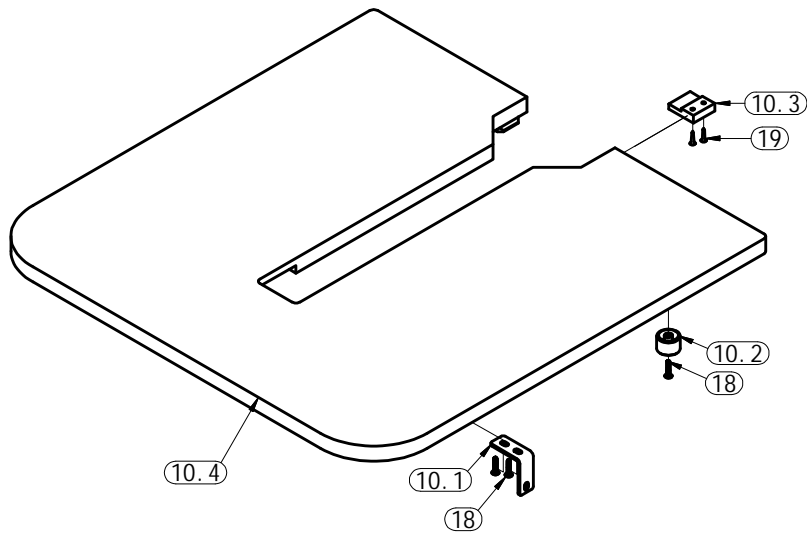


Applicable Models:

RCM-0601PT	RCM-0601TC-7S
RCM-1201PT	RCM-1201TC-7S
RCM-1501PT	RCM-1501TC-7S

www.ricoma.us www.ricoma.cn

01. TABLE GUARD COVER

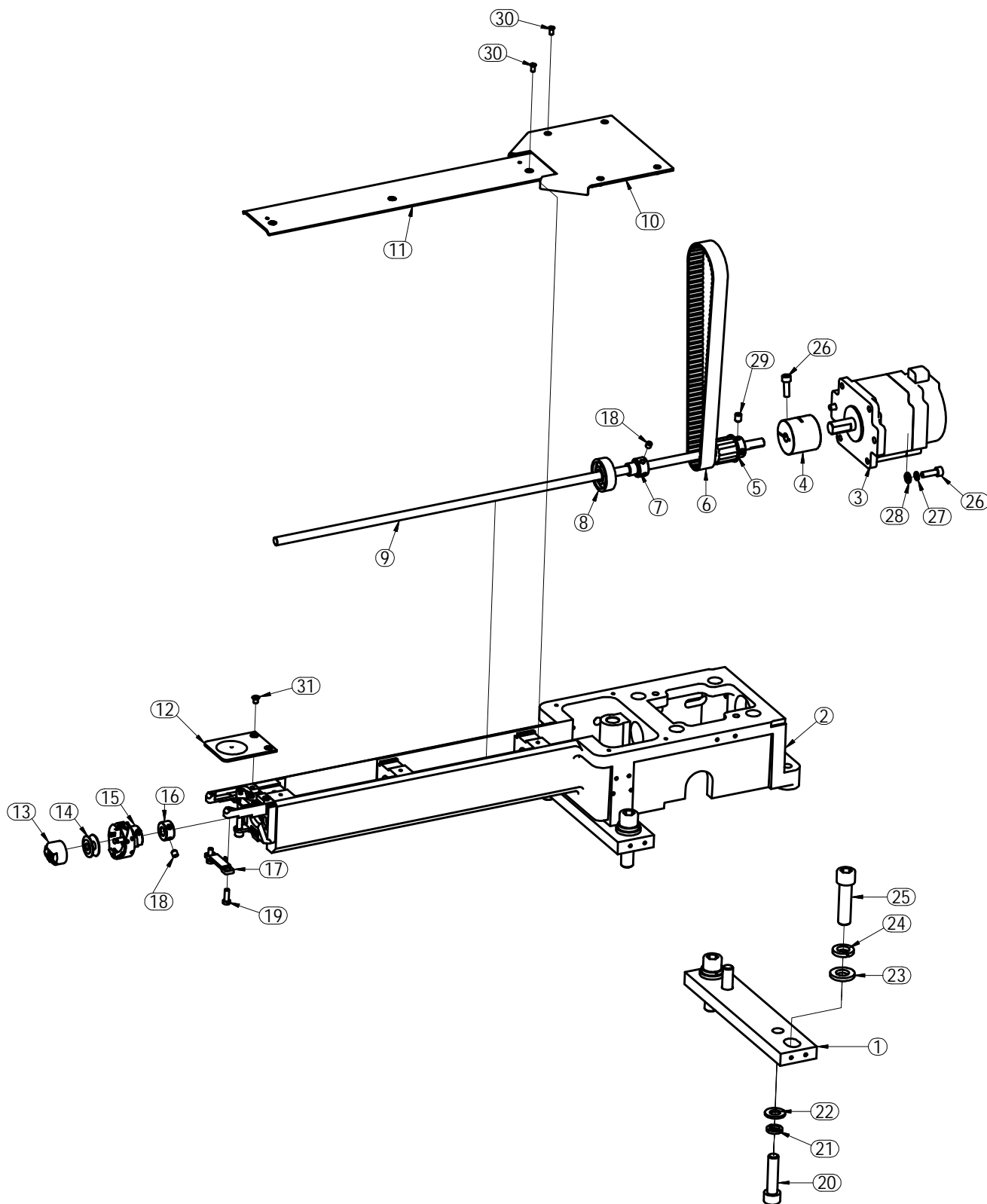


01.Table Guard Cover

03010V1

NO	Part Number	Parts Name	Remark
1	03010103	Base-P-Finished product	
2	03010320	Fulcrum post of Table	
3	03010232	Encloser-Base-Left front	
4	03010252	Encloser-Base-Left rear	
5	03010210	Encloser bracket of shuttle box	
6	03010318BA	Mounting bracket-Table	
7	03010251	Encloser-Base-Right rear	
8	03010231	Encloser-Base-Right front	
9	03010130	Sealing plate-Base-P	
10	03010360	Table-Plain embroidery-P	
10.1	03010302	Support plate of the Table	
10.2	03010304	Cushion block of the Table	
10.3	02730201	Plastic Fixture Block of the Table	
10.4	03010301	Plain embroidery table-DT	
11	80746406	Truss head cross screw: M4x6	
12	80746408	Truss head cross screw: M4x8	
13	80810410	Hexagon socket head cap screw: M4x10	
14	80746412	Truss head cross screw: M4x12	
15	80810412	Hexagon socket head cap screw:M4x12	
16	80900401	Chrome plated flat gasket M4	
17	80880506	Hexagon socket fastening screw:M5x6	
18	80700103	Truss head tapping screw	
19	80700135	Countersunk head tapping screw-Cross-3x16	

02. ROTARY HOOK BASE

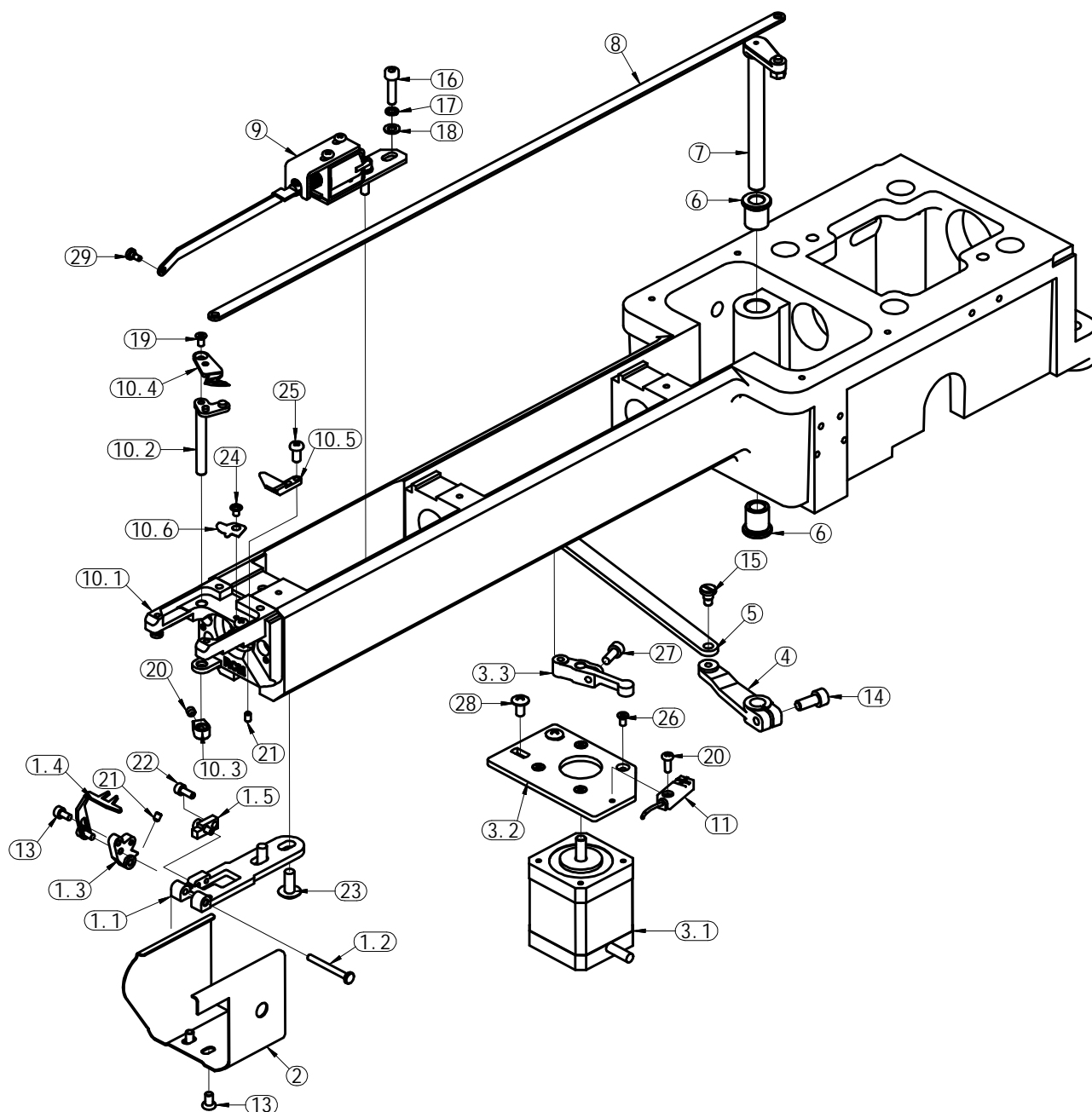


02.Rotary Hook Base

03020V1

NO	Part Number	Parts Name	Remark
1	03021103	Support plate-Shuttle box-P	
2	03021101	Shuttle box-P	
3	80310701	DT main motor	
4	80037912BA	Coupling cover-Journal sticking	
5	80025602	Belt pulley16-S5M-20-DTB	
6	80025506	Synchronous belt 525-S5M-16	
7	80037901	Bearing sleeve-7.940D12	
8	80031222	Deep groove ball bearing32-12-10	
9	03021107BA	Axle of shuttle box-P	
10	03021106	Cover plate-Shuttle box-Rear	
11	03021105	Cover plate-Shuttle box-Front	
12	03021381	Convex needle plate-38	
12-1	03021382	Plain needle plate-38	
13	80620301	Bobbin case	
14	80620302	Bobbin	
15	80620291	Koban rotary hook-KHS12-RYP	
16	02101121	Axle baffle ring of the rotary hook	
17	03021321	Position hook of the rotary hook	
18	80880506	Hexagon socket fastening screw M5x6	
19	80924114	Slotted flat head screw11/64x12	
20	80811040	Hexagon socket head cap screw M10x40	
21	80901013	Spring shim M10	
22	80901002	Plain washer M10	
23	80901201	Spring shim M12	
24	80901213	Spring shim-BlackM12	
25	80811245	Hexagon socket head cap screw M12x45	
26	80810516	Hexagon socket head cap screw M5x16	
27	80900513	Spring shim-M5	
28	80900501	Plain washer M5	
29	80880608	Hexagon socket fastening screw M6x8	
30	80924123	Slotted counterbore screw-9`64x7	
31	80924131	Slotted counterbore screw-11`64x6	

03. TRIMMING PART

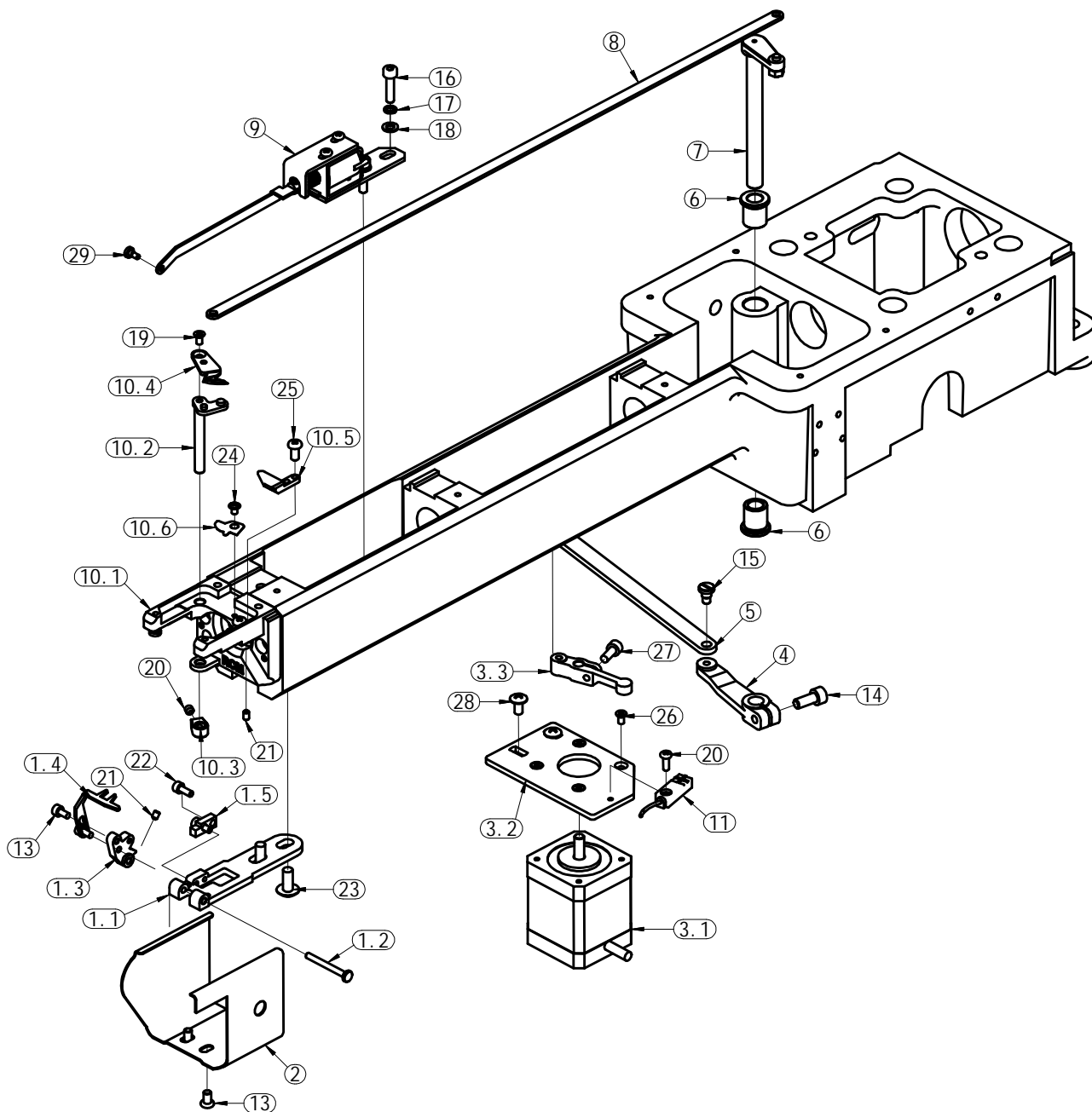


03. Trimming Part

03030V1

NO	Part Number	Parts Name	Remark
1	03021592	Picker component	
1.1	03021501	Picker bracket	
1.2	03021502	Pin-Picker	
1.3	03021503	Picker base	
1.4	03021504	Picker	
1.5	03021524	Picker brake	
2	03021311	Needle plate base cover	
3	03011281	Trimming motor part	
3.1	80304213	Trimming motor	
3.2	03022206	Trimming motor board	
3.3	03022213	Driving arm-Trimming motor	
4	03021211	Turning connecting rod of Trimming	
5	03021204	Trimming connecting rod	
6	80030803	Axle sleeve of end face-8-12	
7	03021202	Trimming driving arm	
8	03021221	Trimming pull rod	
9	03021591	Picker electromagnetic component	
10	03021391	Needle plate base component	
10.1	03021301	Needle plate base	
10.2	03021242	Driving rod component of moving blade	
10.3	03021232	Chuck of driving rod of moving blade	
10.4	02101231	Movable knife	
10.5	02101232	Fixed knife	
10.6	02101233	Reed of fixed blade	
11	80333601	Small square proximity switch	
12	80810306	Hexagon socket head cap screw M3x6	
13	80740406	Small round headed cross screw M4x6	
14	80810512	Hexagon socket head cap screw M5x12	
15	80924211	Shaft shoulder screw M4x4-5x3.5	
16	80810412	Hexagon socket head cap screw M4x12	
17	80900413	Spring shim -M4	
18	80900401	Plain washer M4-chrome plated	
19	80860304	Stainless steel countersunk flat-headed cross screw M3x4	
20	80880405	Holding screw M4x5	
21	80880304	Holding screw M3x4	

03.TRIMMING PART

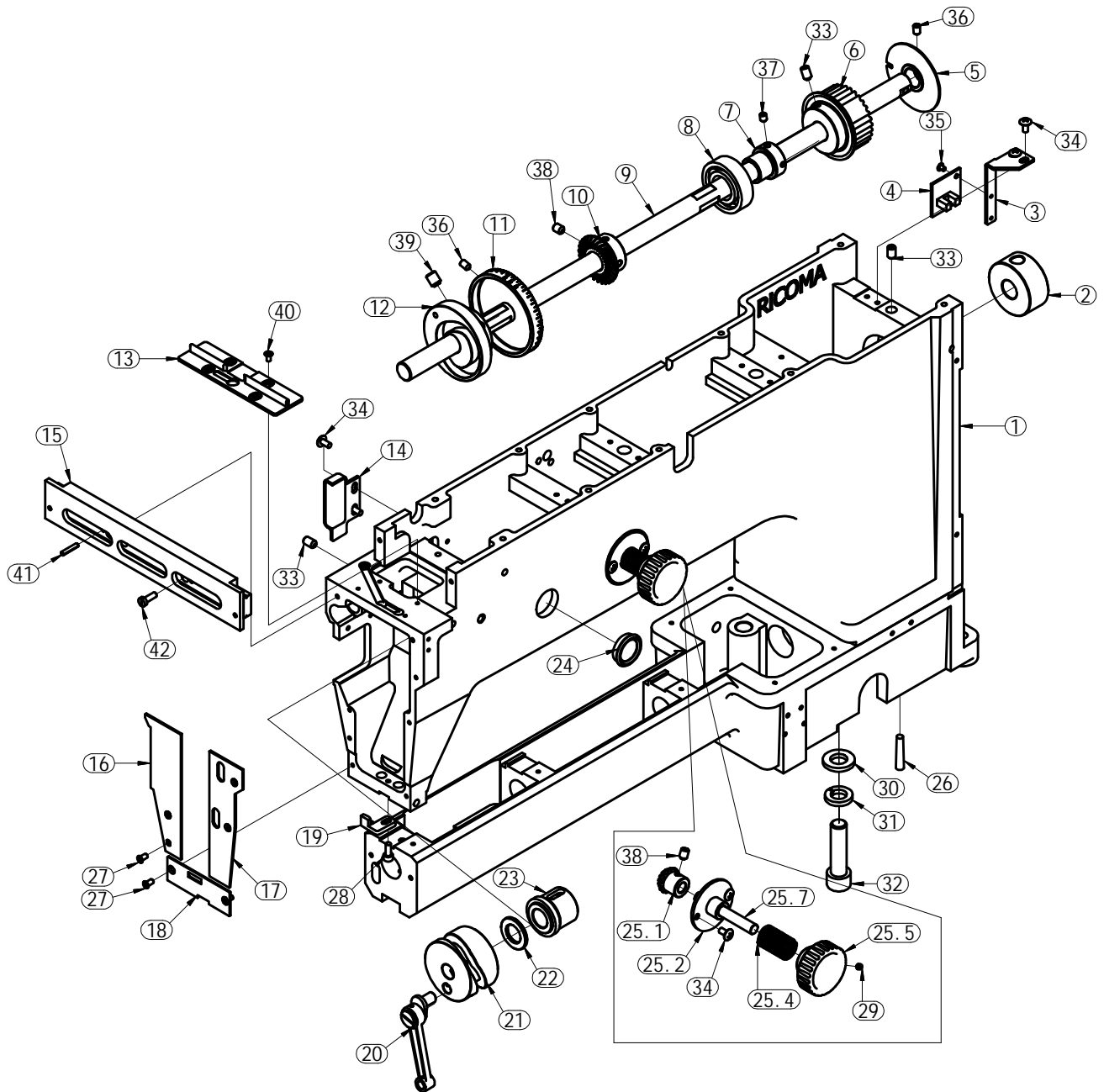


03. Trimming Part

03030V1

22	80810305	Hexagon socket head cap screw M3x5	
23	80746512	Truss head cross screw M5x12	
24	80742304	Button headed flange cross screw M3x4	
25	80741308	Small round headed cross screw-M3x8	
26	80860306	Countersunk cross-M3x6	
27	80810410	Cup headed hexagon screw-M4x10	
28	80740408	Round headed cross screw-M4x8	
29	80924201	Shaft shoulder screw-M2.5x4-3x2	

04.ARM

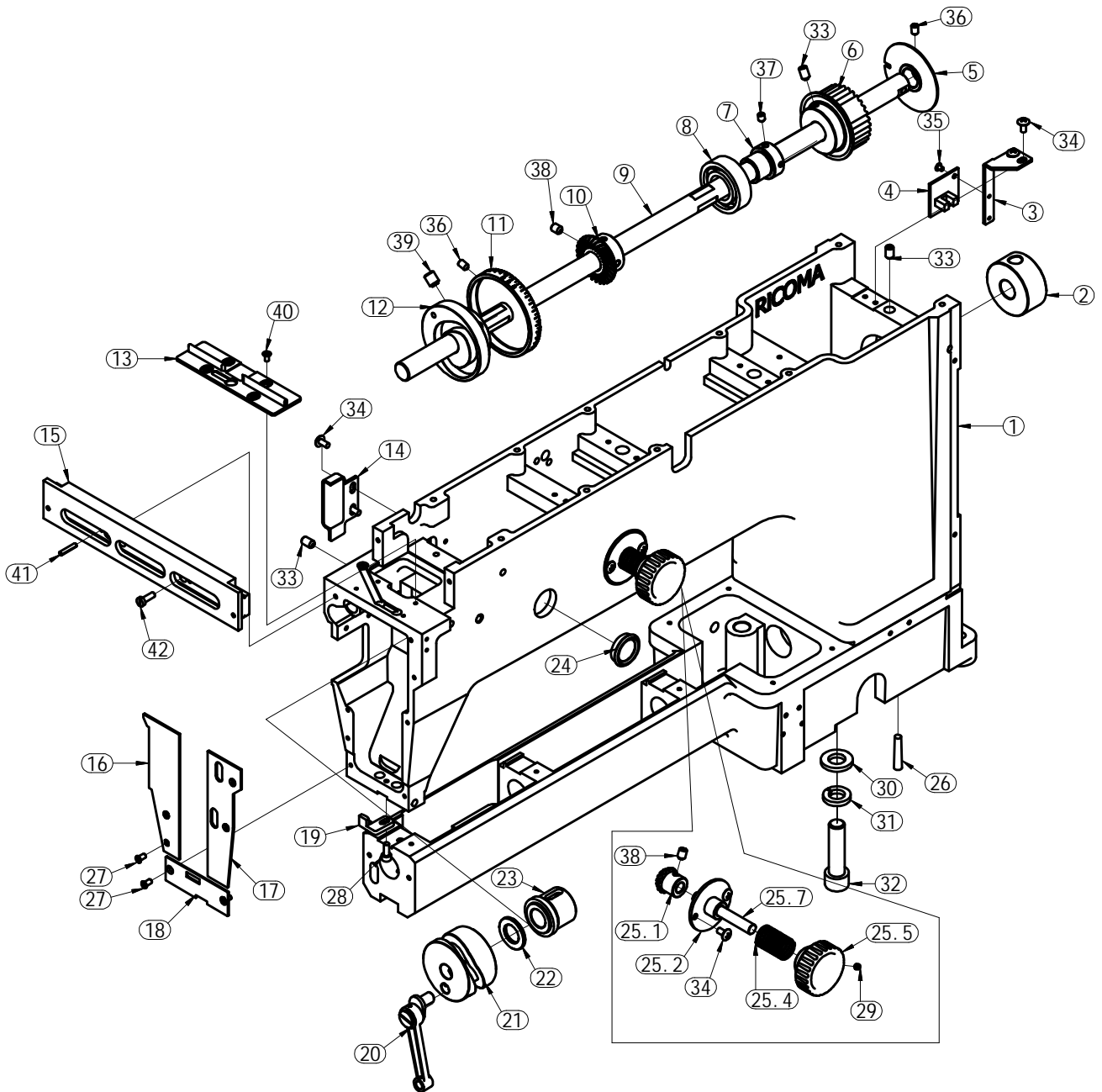


04.Arm drive

03040V1

NO	Part Number	Parts Name	Remark
1	03040101	Arm-P	
2	03041203	Oil bearing-Main axis-Rear	
3	03041208	Zero position optocoupler stand	
4	03150810	Optocoupler plate-Zero position	
5	03041207	Zero position light baffle	
6	80025601	Belt wheel 32-S5M-20-15	
7	80031502	Bearing housing Φ 15-20	
8	80032022	Deep groove ball bearing-6004	
9	03041201	Upper shaft-P	
10	01030131	Bevel gear	
11	03041211	Main axis graduated disk	
12	03040404	Presser foot cam	
13	03041108	Guide plate-Take-up (Aluminum104)	
13	03041109	Guide plate-Take-up (Aluminum340)	
13	03041115	Guide plate-Take-up (Aluminum420)	
14	03040141	Left cover of arm	
15	03040198	Guide rail-bead frame-6-P	
15-1	03040197	Guide rail-bead frame-12-P	
15-2	03040196	Guide rail-bead frame-15-P	
16	03040125	Cover plate-Arm-Left front	
17	03040124	Cover plate-Arm-Right front	
18	03040123	Cover plate-Arm-Down front	
19	03040121	Positioning hook of needle holder	
20	03040292	Needle driving connection rod component	
21	03040203	Arm cam	
22	03041204	Needle cam washer	
23	03041202	Oil bearing-Main axis-Front	
24	03041281	Dial viewer-Suite	
25	03041391	Regulating handle-Component	
25.1	01030132	Bevel pinion	
25.2	03041301	Handle cover	
25.4	03041303	Spring of adjusting handle	
25.5	03041304	Adjusting handle	
25.7	03041302	Adjusting handle spindle	
26	80682101	Taper pin 6x30	

04.ARM

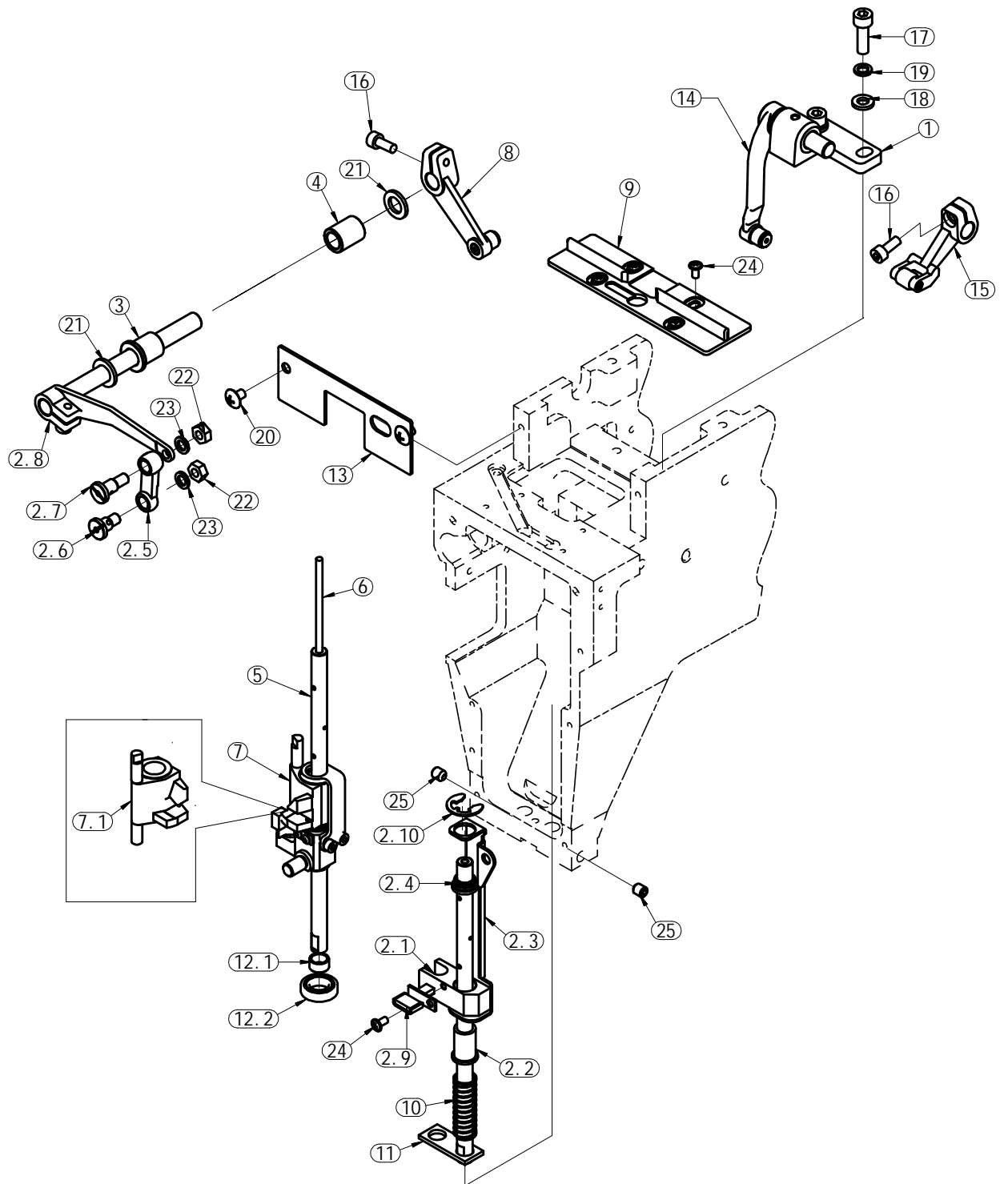


04.Arm drive

03040V1

27	80924123	Slotted counterbore screw-9`64x7	
28	80810410	Cup headed hexagon screw-M4x10	
29	80880404	Hexagon socket fastening screw-M4X4	
30	80901201	Spring shim M12	
31	80901211	Spring shim-M12	
32	80811245	Hexagon socket head cap screw-M12x45	
33	80880610	Hexagon socket fastening screw-M6x10	
34	80746408	Round headed cross screw-M4x8	
35	80742304	Button headed flange cross screw-M3x4	
36	80880508	Hexagon socket fastening screw-M5x8	
37	80880506	Hexagon socket fastening screw-M5x6	
38	80880608	Hexagon socket fastening screw-M6x8	
39	80880808	Hexagon socket fastening screw-M8x8	
40	80742306	Button headed flange cross screw-M3x6	
41	80685135	Elastic cylindrical pin-3x16	
42	80924144	Slotted flat head screw-M4x12	

05.NEEDLE BAR DRIVING PARTS

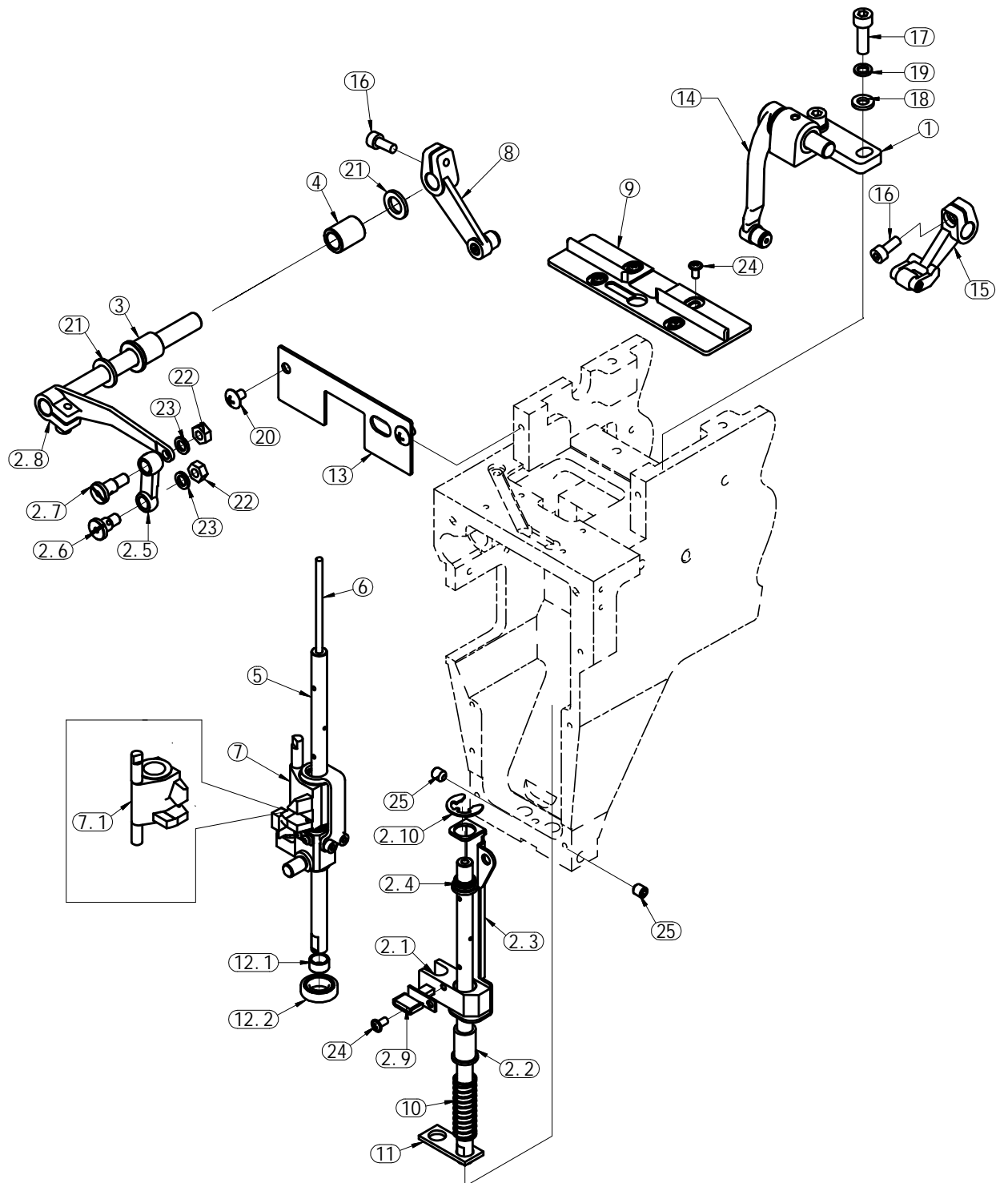


05.Needle Bar Driving Parts

03050V1

NO	Part Number	Parts Name	Remark
1	03041101	Take-up lever base	
2	03040498	Presser foot sliding bracket component	
2.1	03040424	Presser foot driving mouldle	
2.2	03040423	Driving axle sleeve B	
2.3	03040421	Presser foot sliding bracket	
2.4	03040422	Driving axle sleeve A	
2.5	03040403	Presser foot small connection rod	
2.6	03040412	Small connection rod pin-down	
2.7	03040411	Small connection rod pin-up	
2.8	03040431	Presser foot driving shaft	
2.9	03040426BA	Buffer cushion-presser foot	
2.10	80031071	Outter snap ring-10-8-E	
3	80030803	End face axle sleeve 8-12	
4	80030811	Straight axle sleeve 12	
5	03040351	Driving shaft of arm	
6	03040352	Oil core of driving shaft of arm	
7	03040391	Needle driver component	
7.1	03040301	Needle driver module	
8	03040497	Guide rod of presser foot cam	
9	03041108	Guide plate-Take-up (Aluminum104)	
9	03041109	Guide plate-Take-up (Aluminum340)	
9	03041115	Guide plate-Take-up (Aluminum420)	
10	03040425	Presser foot guide spring	
11	03040111	Oil felt	
12	03040160	Lower guide rail locating bearing	
12.1	03040122	Driving shaft collar	
12.2	80030902	Bearing 17-9-4	
13	03040126	Arm front upper cover plate	
14	03041193	Major take-up connection bar component	
15	03041192	take-up transmission component	
16	80810410	Hexagon socket head cap screw M4x10	
17	80810516	Hexagon socket head cap screw M5x16	
18	80900501	Plain washer M5	
19	80900513	Spring cushion-M5	
20	80746406	Truss head cross screw M4x60	

05.NEEDLE BAR DRIVING PARTS

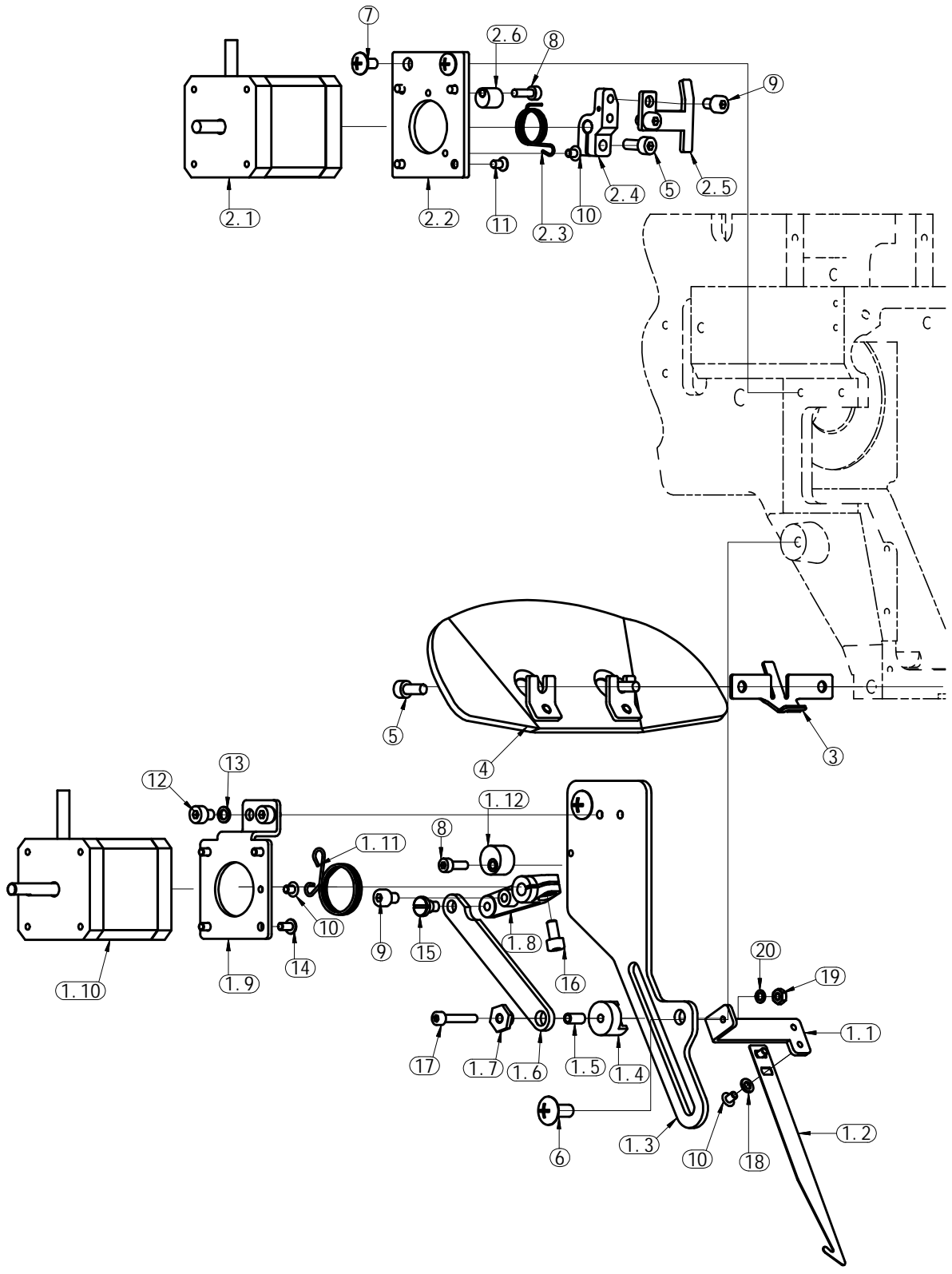


05.Needle Bar Driving Parts

03050V1

21	80030869	Nylon washer-8-14-1.5	
22	80900528	Nut M5	
23	80900513	Spring cushion-M5	
24	80742306	Button headed flange cross screw M3x6	
25	80880506	Hexagon socket fastening screw M5x6	

06.HOOK AND JUMP

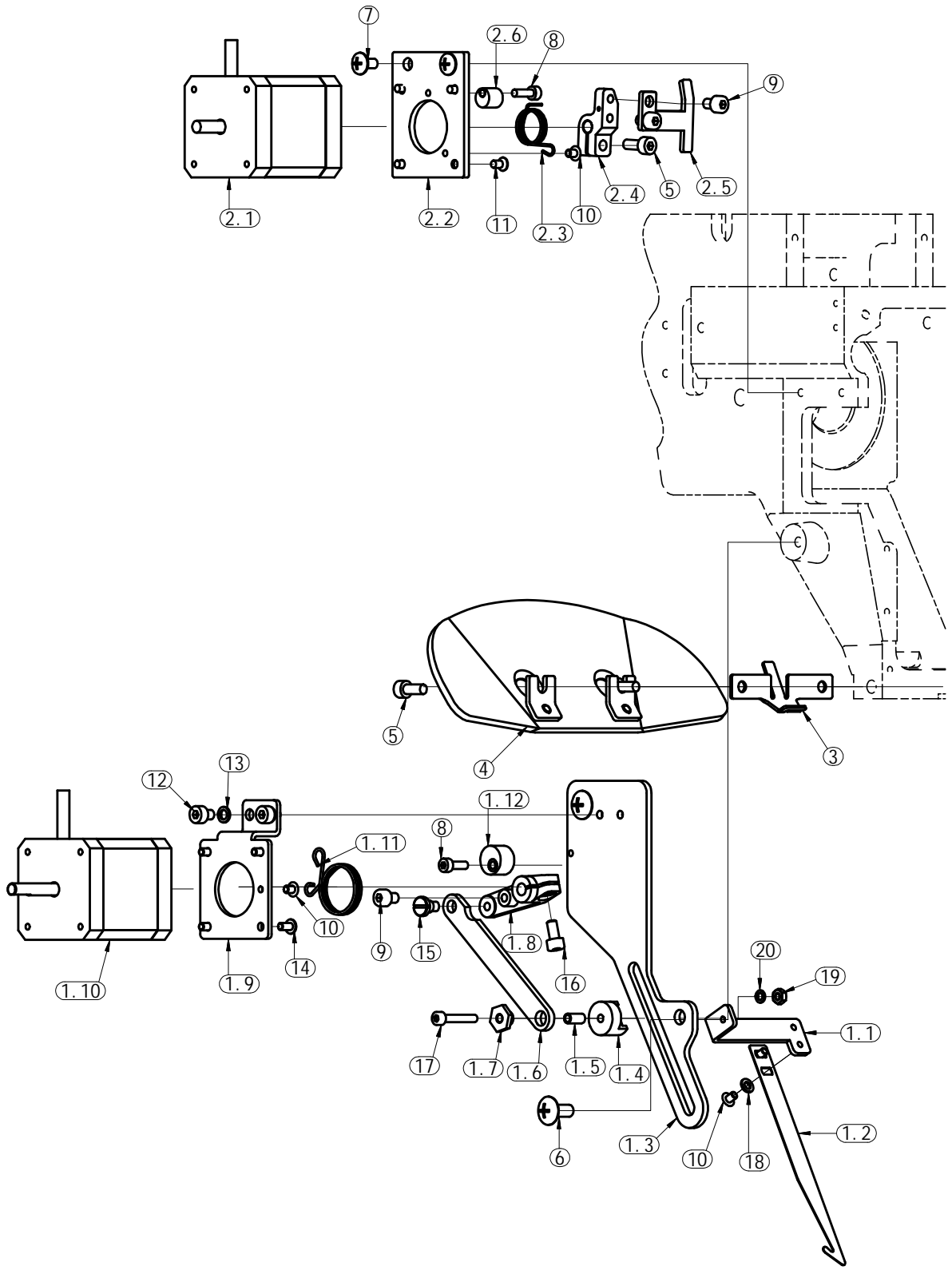


06.Hook and Jump

03060V1

NO	Part Number	Parts Name	Remark
1	03040681	Hook part	
1.1	03040610	Connection block of thread hook	
1.2	03040611	Thread hook	
1.3	03040601	Hook plate	
1.4	03040607	Fixed block of thread hook	
1.5	03040609	Positioning bushing	
1.6	03040606	Thread hook connecting bar	
1.7	03040608	Hexagon baffle ring	
1.8	03040603	Drive arm of thread hook	
1.9	03040602	Motor base of thread hook	
1.10	80304211	Stepping motor 42BYGH4408-12	
1.11	03040604	Drive arm of reset spring	
1.12	03040605	Silencer block	
2	03040791	Jump part	
2.1	80304213	Stepping motor 42BYGH5201-01	
2.2	03040701	Arm motor plate	
2.3	03040705	Jump torsional spring	
2.4	03040702	Arm jump board	
2.5	03040703	Jump connecting bar bracket	
3	03040631	Guide plate of thread hook	
4	03040153	Lower baffle component of arm	
5	80810410	Cup headed hexagon screw-M4x10	
6	80740512	Truss head cross screw-M5x12	
7	80740408	Round headed cross screw-M4x8	
8	80810310	Cup headed hexagon screw-M3x10	
9	80810406	Cup headed hexagon screw-M4x6	
10	80743304	Button headed flange cross screw-M3x4	
11	80860306	Countersunk cross-M3x6	
12	80810405	Cup headed hexagon screw-M4x5	
13	80900411	Spring shim-M4	
14	80743306	Button headed flange cross screw-M3x6	
15	80924211	Shaft shoulder screwM4x4-5x3.5	
16	80810408	Cup headed hexagon screw-M4x8	
17	80810320	Cup headed hexagon screw-M3x20	
18	80900301	Plain washer-M3	

06.HOOK AND JUMP

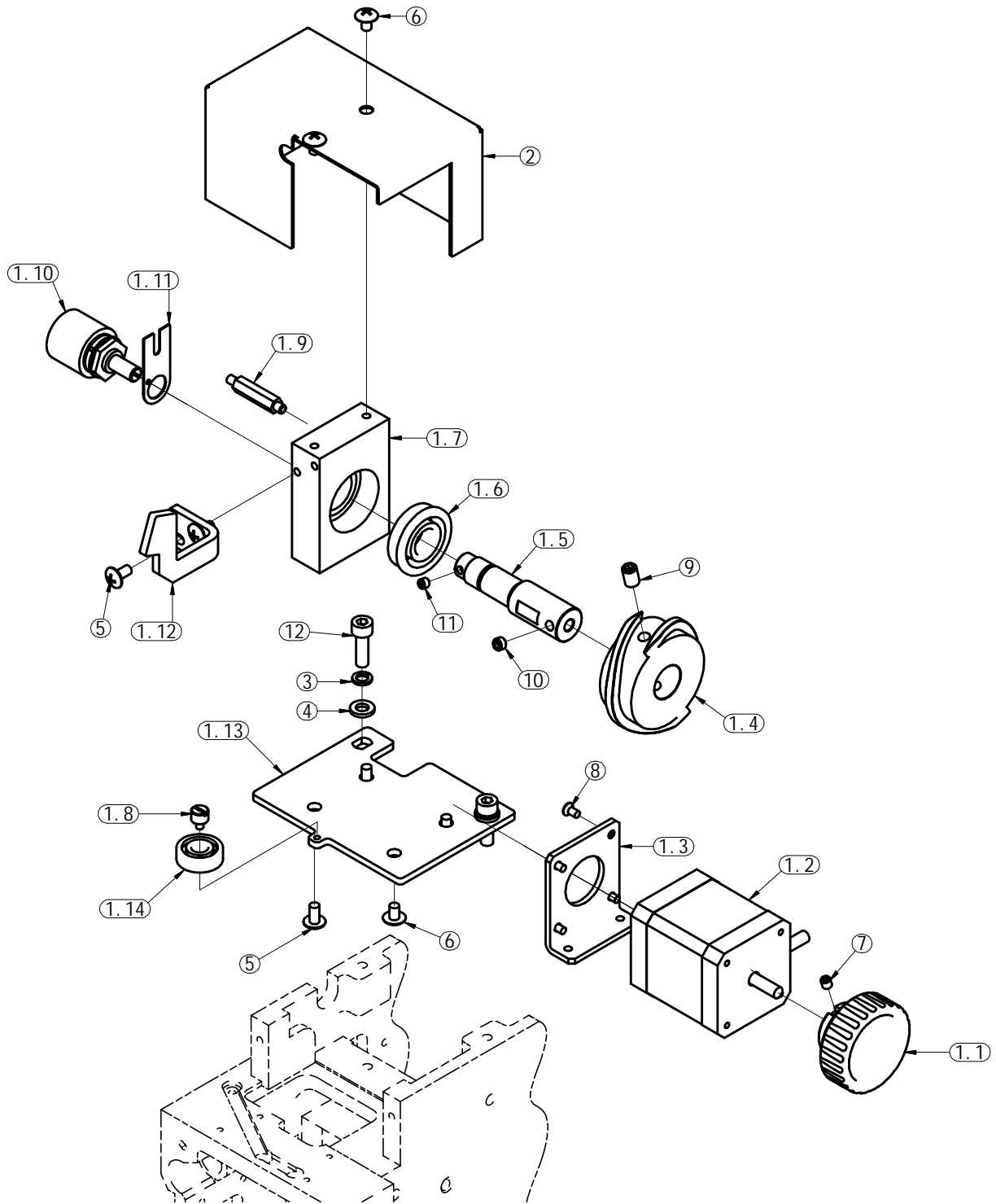


06.Hook and Jump

03060V1

19	80900321	Nut-M3	
20	80900311	Spring shim-M3	

07. COLOR CHANGE SYSTEM

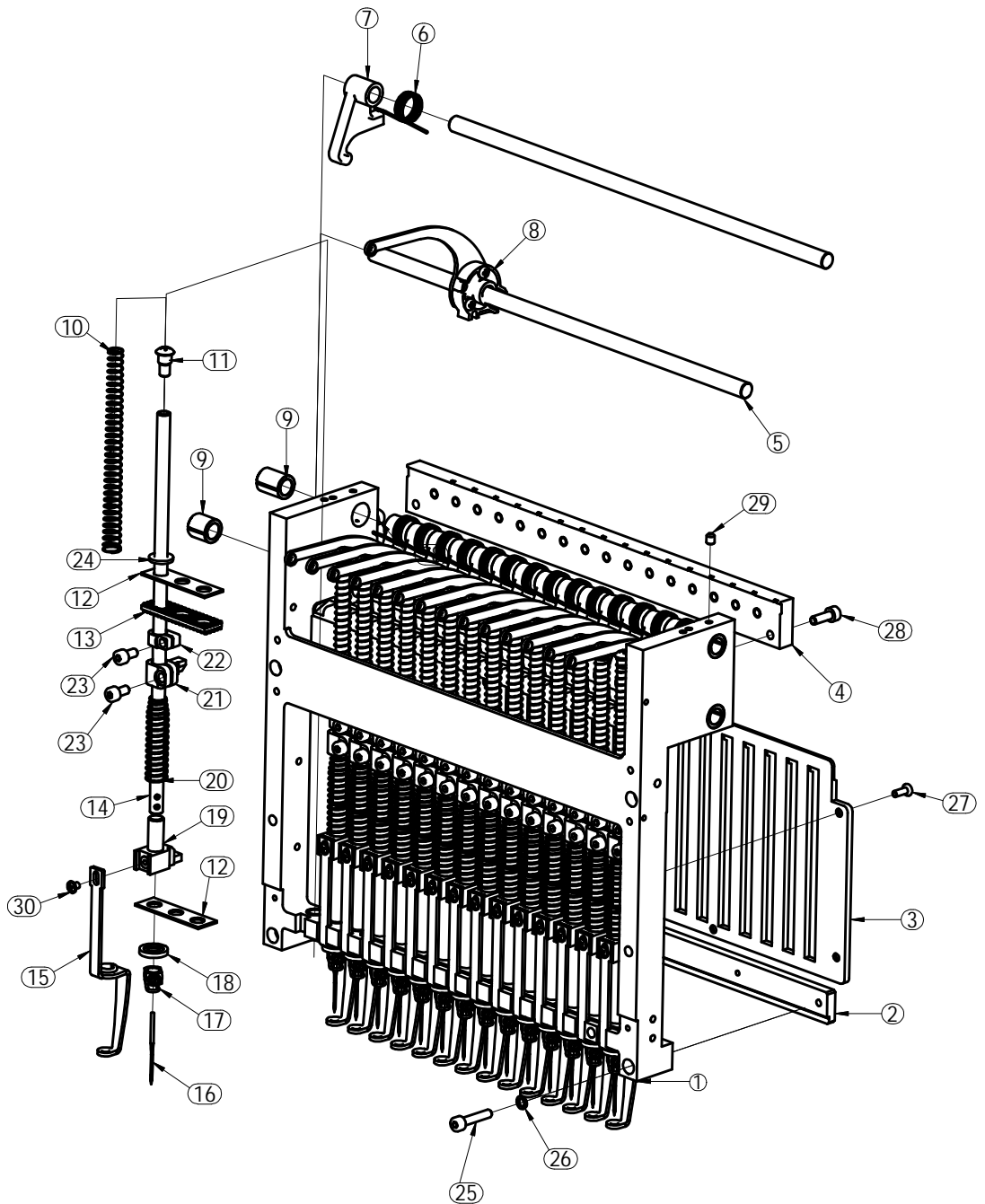


07.Color Change System

03070V1

NO	Part Number	Parts Name	Remark
1	03040590	Color changing motor-Duplex bearing	
1.1	03040511RA	Handle-Color changing	
1.2	80304203	Stepping motor 42BYGH5201-01	
1.3	03040502	Mounting plate-Color changing motor	
1.4	01293812	Cam-Color changing-Dual track-Casette	
1.5	03040528	Color changing axle-Bearing color changing-P	
1.6	80031224	Flange bearing -12-28-8	
1.7	03040541	Bearing base-Color changing-Duplex bearing	
1.9	03040552	Fixed bolt of potentiometer	
1.10	80333702	Multiturn potentiometer	
1.11	03040510	Mounting plate-Potentiometer	
1.12	03040508	Photocoupler bracket-Check brake	
1.13	03040544	Bracket base-Color changing-Duplex bearing	
1.14	80030722	Deep groove bearing-19-7-6	
1.8	03040507	Color changing bearing pin	
2	03040513	Cover-Color changing	
3	80900511	Spring shim-M5	
4	80900501	Plain Washer-M5	
5	80740408	Round headed cross screw-M4x8	
6	80740406	Round headed cross screw-M4x6	
7	80880405	Hexagon socket set screw-M4x5	
8	80860306	Countersunk cross-M3x6	
9	80880610	Hexagon socket set screw-M6x10	
10	80880504	Hexagon socket set screw-M5x4	
11	80880404	Hexagon socket set screw-M4X4	
12	80810516	Hexagon socket head cap screw-M5x16	

08.NEEDLE BAR CASE 1

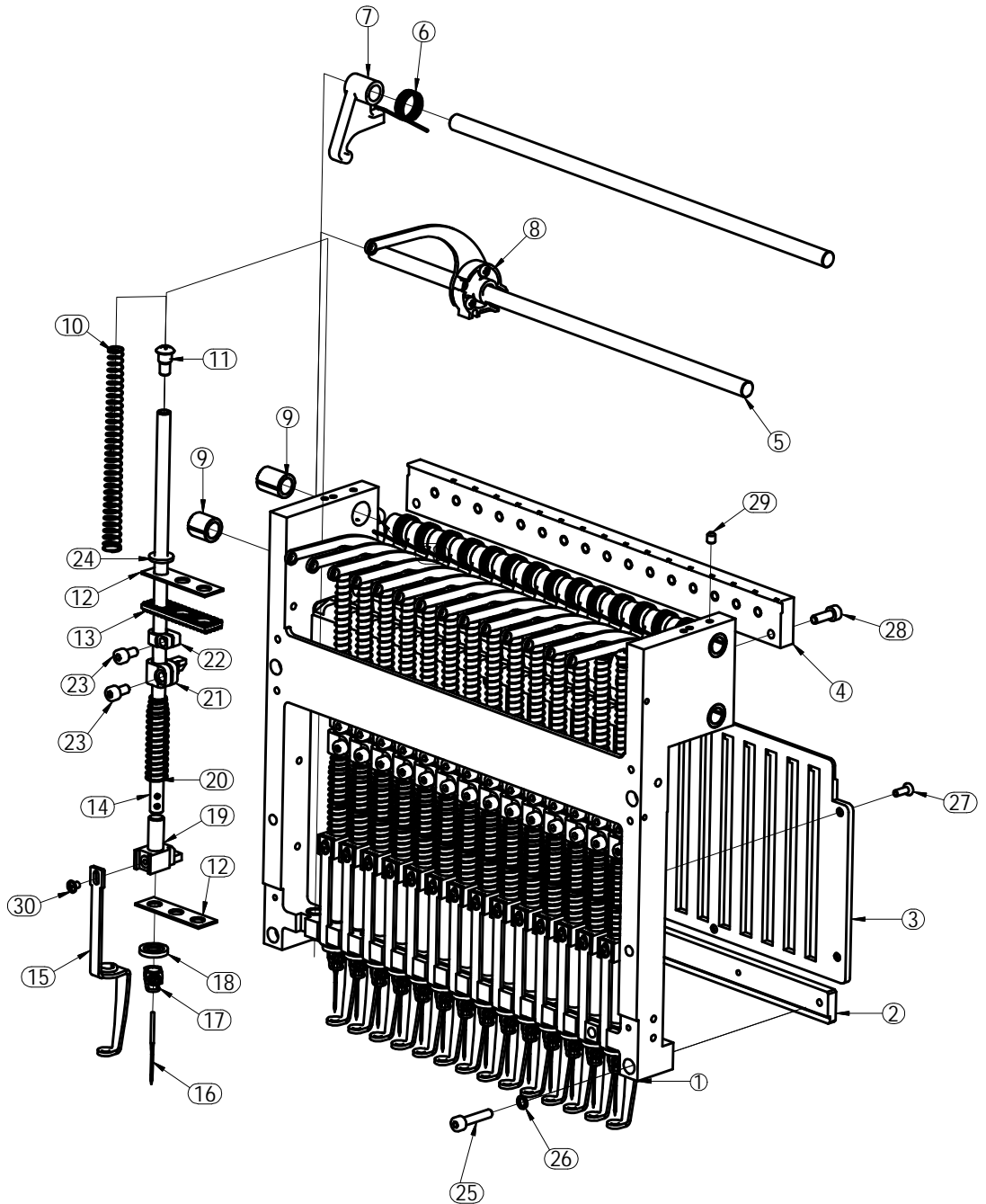


08.Needle Bar Case-1

03080V1

NO	Part Number	Parts Name	Remark
1	03081115	Needle bar case-P-15	
1	03081103	Needle bar case-P-12	
1	03081105	Needle bar case-P-06	
2	03081122	Lower guide rail-15	
2	03081121	Lower guide rail-12	
2	03081125	Lower guide rail-06	
3	03081312	Needle bar guide plate-15	
3	03081301	Needle bar guide plate-12	
3	03081331	Needle bar guide plate-06	
4	03081215	Color changing plate-12	
4	03081282	Color changing plate-82	
4	03081206	Color changing plate-06	
5	01221533	Positioning block axis-15	
5	01221532	Positioning block axis-15	
5	01221530	Positioning block axis-15	
6	03081503	Torsional spring of positioning block	
7	03081502	Positioning block of take-up-lever	
8	03081591	Take-up-lever set	
9	03081506	Take-up axis baffle plate-12	
9	03081505	Take-up axis baffle plate-15	
9	03081507	Take-up axis baffle plate-17	
10	03080102	Needle bar spring-P	
11	03080107	Lengthened scrow of needle bar	
12	01221606	3-hole felt pad	
13	01221605	3-hole pitting rubber blanket	
14	03080101	Needle bar	
15	03080181	adjustable and covered stainless steel presser foot	
16	80621111	Needle-DBXK5-11	
17	01222196	Normal needle with screw	
18	01222104	Plain washer of needle bar	
19	03080104	Presser foot cover of needle bar	
20	03080108	Presser foot spring-DT	
21	01222106	Needle bar connecting pin	
22	01222105	Top stop clamp	
23	80810408	Cup headed hexagon screw-M4x8	

08.NEEDLE BAR CASE 1

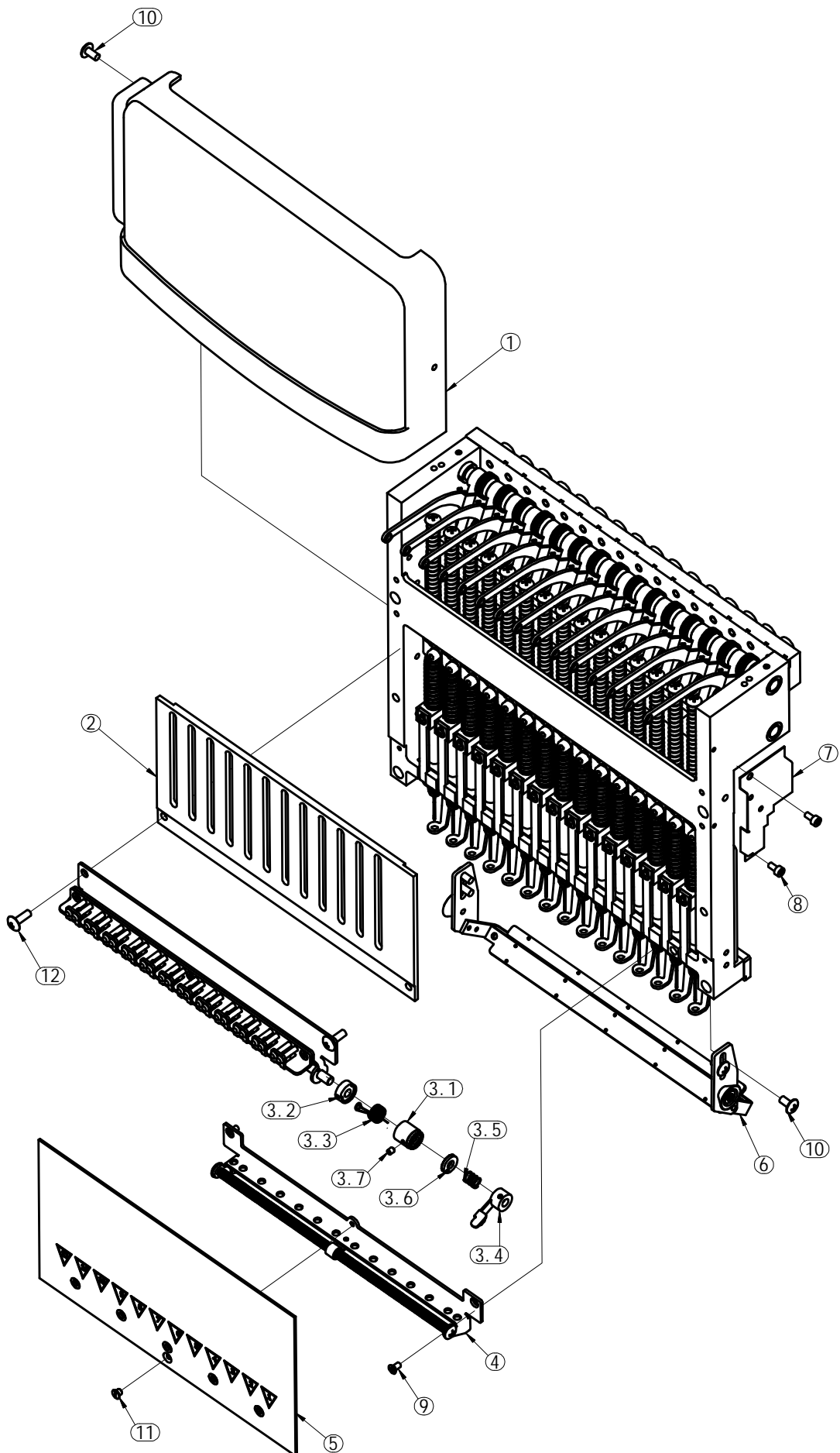


08.Needle Bar Case-1

03080V1

24	80900401	Plain washer-M6-12-0.8-chroming	
25	80810420	Cup headed hexagon screw-M4x20	
26	80900413	Spring shim-M4	
27	80740108	Small round headed cross screwM3x8	
28	80810412	Cup headed hexagon screw-M4x12	
29	80880405	Hexagon socket fastening screw-M4x5	
30	80742304	Button headed flange cross screw-M3x4	

09. NEEDLE BAR CASE 2

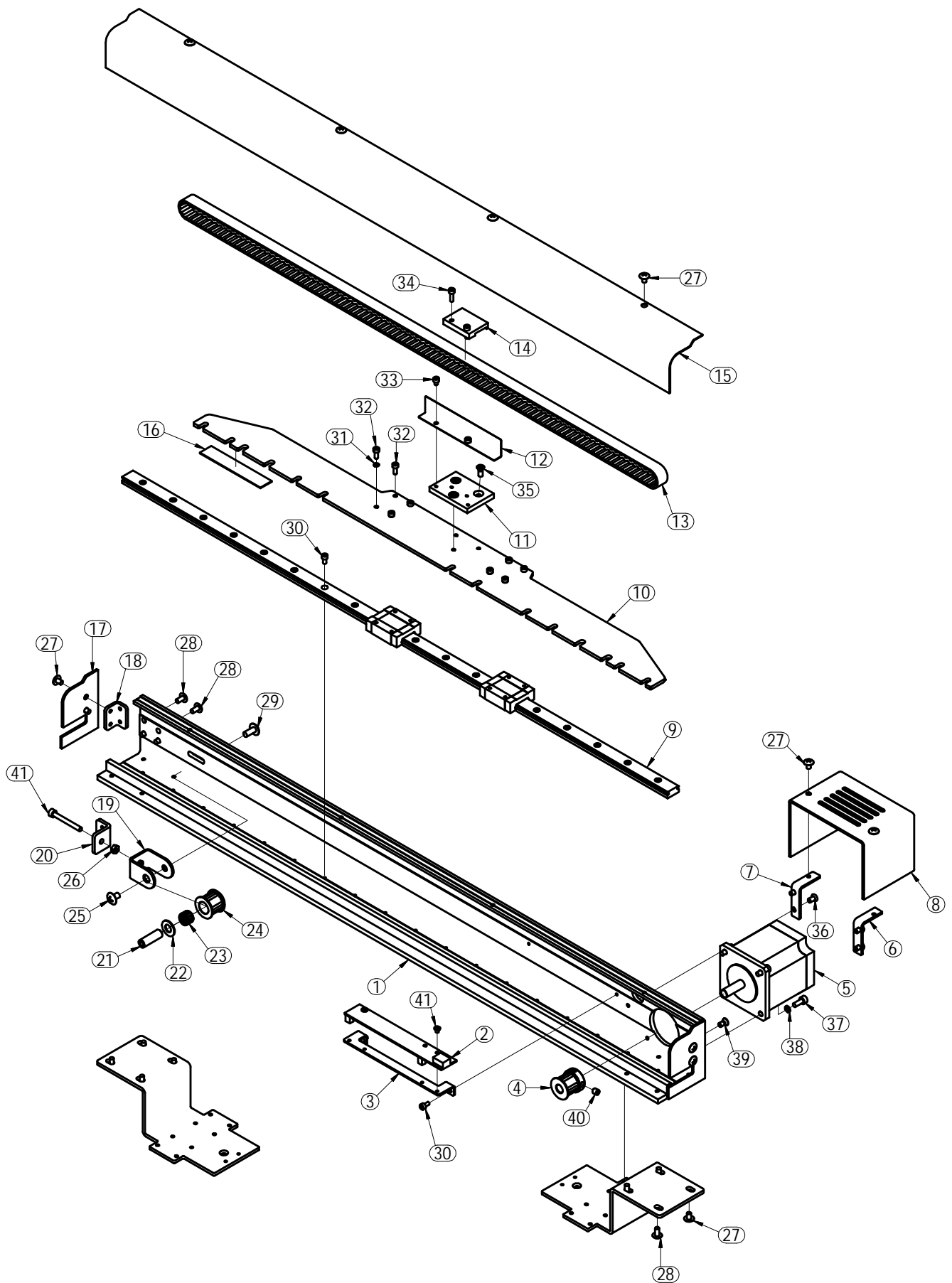


09.Needle Bar Case-2

03090V1

NO	Part Number	Parts Name	Remark
1	03082310	Protective Cover-12	
1	03082352	Protective Cover-15	
2	03081302	Front top panel-12	
2	03081312	Front top panel-15	
2	03081332	Front top panel-06	
3	03082591	Middle thread course-12	
3	03082592	Middle thread course-15	
3	03082593	Middle thread course-06	
3.1	03082527	Take-up spring cover	
3.2	03082528	Take-up spring baffle ring	
3.3	03082530	Middle thread guide take-up spring	
3.4	03082523	Tensile spanner	
3.5	03082524	Tensile spanner spring	
3.6	03082525	Lock washer	
3.7	80880304	Hexagon socket fastening screw-M3x4	
4	03082509	Lower thread course-12	
4	03082559	Lower thread course-15	
4	03082569	Lower thread course-06	
5	03081303	Front lower panel of needle bar-12	
5	03081313	Front lower panel of needle bar-15	
5	03081323	Front lower panel of needle bar-06	
6	03086192	Upper thread clamp -12	
6	03086193	Upper thread clamp -15	
6	03086180	Upper thread clamp -06	
7	03082303	Cover magnet base	
8	80810306	Cup headed hexagon screw-M3x6	
9	80860305	Countersunk cross-M3x5	
10	80746408	Round headed cross screw-M4x8	
11	80924121	Slotted counterbore screw--9`64x6	
12	80746412	Round headed cross screw-M4x12	

10.X-AXIS DRIVE SYSTEM

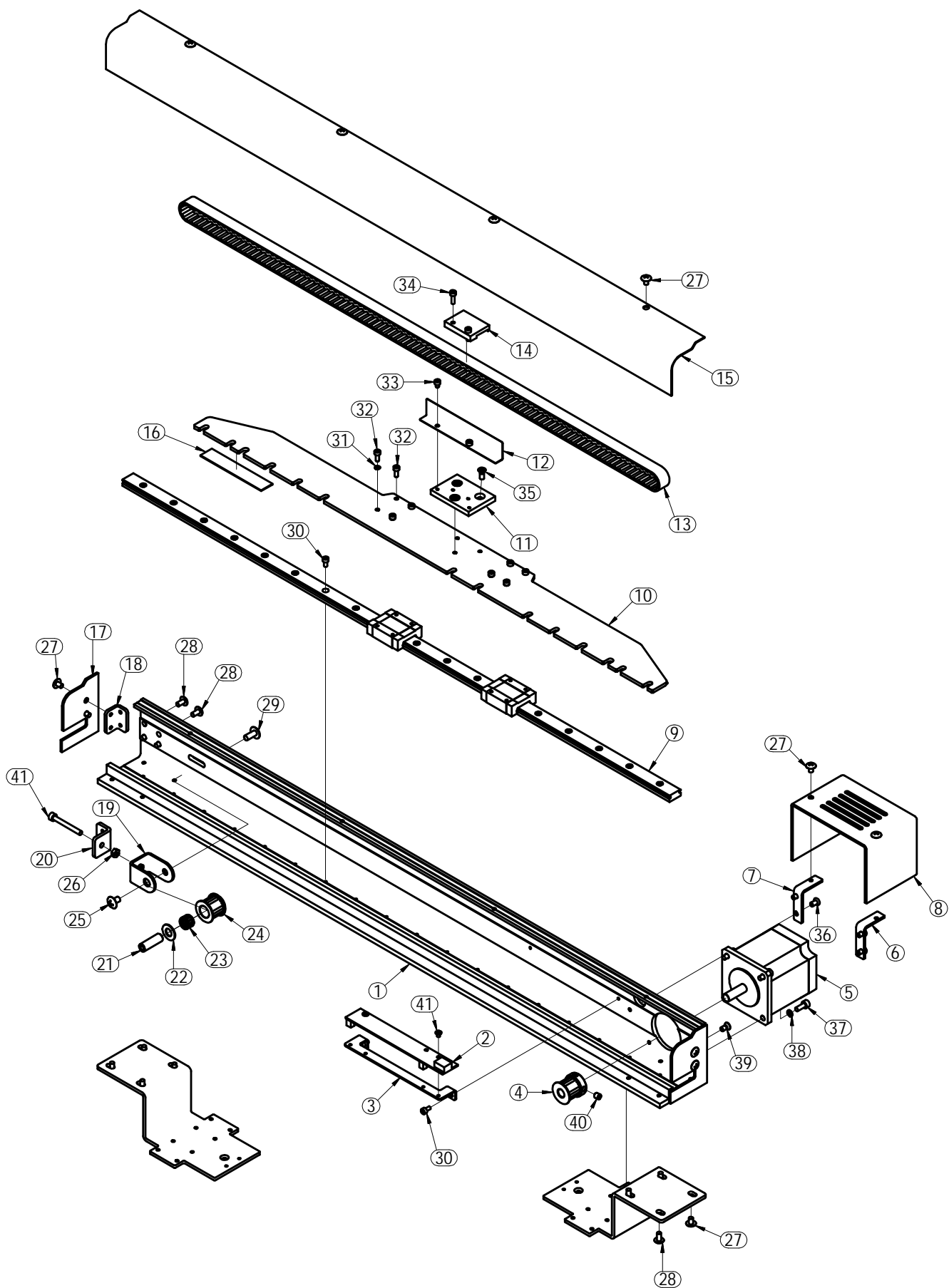


10.X-axis Drive System

03100V1

NO	Part Number	Parts Name	Remark
1	03100101	Driving bracket-X-60 Motor	
2	03150820	Optocoupler plate-Limit	
3	03100110	Mounting bracket-X-Limit	
4	80023601	Belt wheel-3M-20-15-H8	
5	80306001	Motor DT-X 60BYG350	
6	03100122	Motor cover bracket- X-L	
7	03100123	Motor cover support-X-R	
8	03100121	Motor cover-X	
9	80015112	Linear guideway FN-BRH15-2-720	
10	03100131	X driving connection plate- Plain plate	
11	03100104	Connecting lock block	
12	03100112	Light baffle-X	
13	03100190	Synchronous belt-X-740	
14	03100108	Belt pressing plate-3M-X	
15	03100116	Cover-X driving bracket	
16	03100109	Magic tape-X connecting plate	
17	03100117	Driving end plate-X	
18	03100118BA	Mounting plate-X driving cover plate	
19	03100105	Driven wheel bracket-X	
20	03100107	Mounting plate-Tensioner-X	
21	03100106	Axis-driven belt wheel-X	
22	80030861	Nylon washer-16-8-2	
23	80030831	Needle bearing-12-8-8	
24	80023602	Belt wheel-3M-20-15-H12	
25	80746408	Truss head cross screw-M5x8	
26	80900428	Nut-M4	
27	80746401	Round headed cross screw-M4x6	
28	80746408	Round headed cross screw-M4x8	
29	80746512	Truss head cross screw-M5x12	
30	80810306	Cup headed hexagon screw-M3x6	
31	80900313	Spring shim-M3	
32	80810308	Cup headed hexagon screw-M3x8	
33	80810305	Cup headed hexagon screw-M3x4	
34	80810310	Cup headed hexagon screw-M3x10	
35	80860410	Countersunk cross-M4x10	

10.X-AXIS DRIVE SYSTEM



10.X-axis Drive System

03100V1

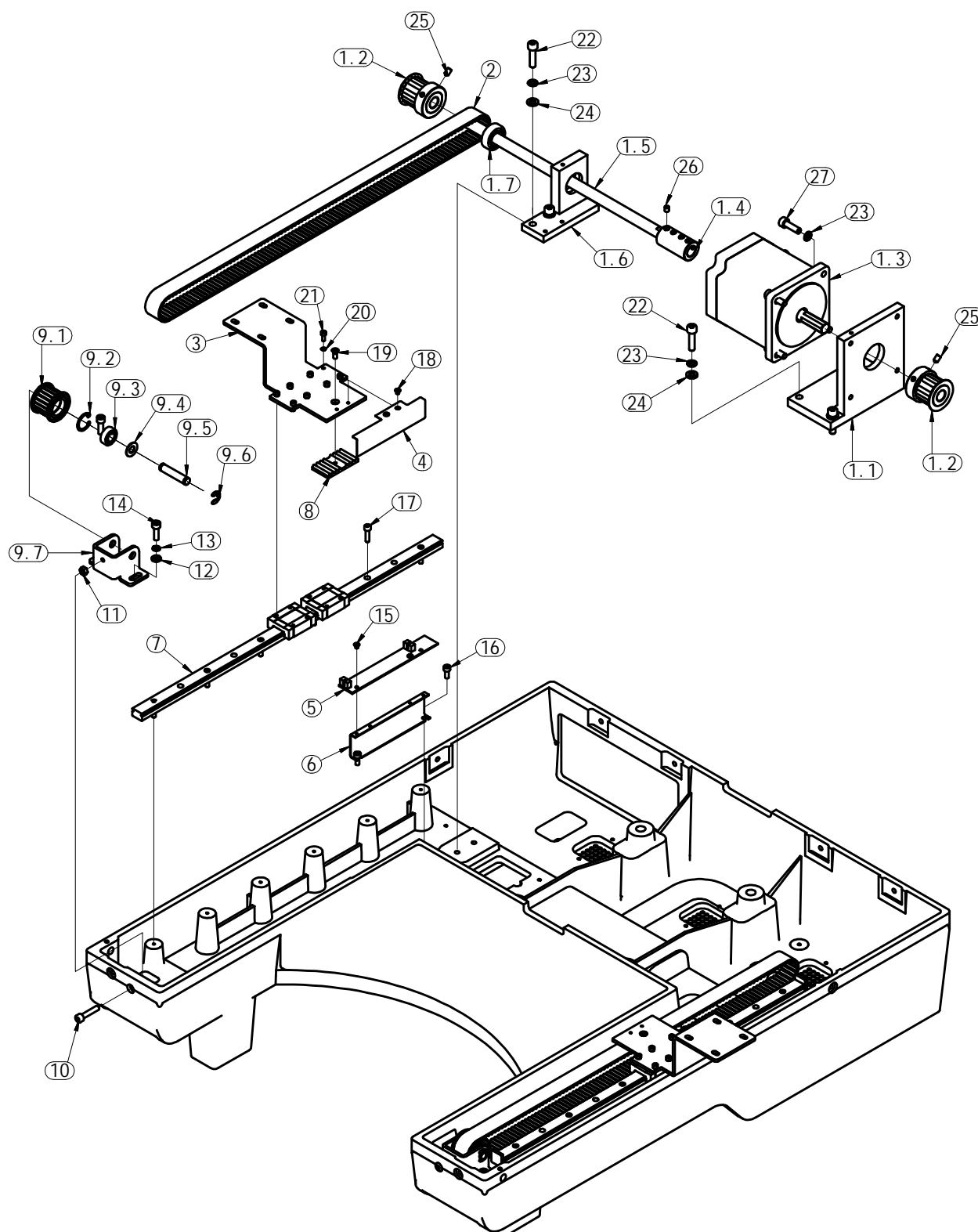
36	80740401	Small round headed cross screw-M4x6	
37	80810410	Cup headed hexagon screw-M4x10	
38	80900413	Spring shim-M4	
39	80860408	Countersunk cross-M4x8	
40	80880506	Hexagon socket fastening screw-M5x6	
41	80810435	Cup headed hexagon screw-M4x35	

11.Y-axis Drive System

03110V1

NO	Part Number	Parts Name	Remark
1	03105181	Driving-Y	
1.1	03105111	Motor base Y86	
1.2	80025266	Belt wheel-5M-20-22-H12	
1.3	80308630	Triphase 86H98D12F37	
1.4	80031211	Bearing bushing-12	
1.5	03105112	Y-axis driving shaft- 12	
1.6	03105114	Bearing block-Y	
1.7	80031223	Deep groove ball bearing-28-12-8	
2	03105151	Y-axis synchronous belt-5M-20-1030	
3	03105107	Driving connecting plate-Y	
4	03105115BA	Limit stop-Y	
5	03150820	Optocoupler plate-Limit XY	
6	03105118	Y-axis limit mounting plate	
7	80015116	Linear guideway FN-BRH15-2-450	
8	03105108	Gear pressing plate-Y	
9	03105134	Driven sheel set-Y	
9.1	80025267	Belt wheel-5M-20-22-H19	
9.2	80032071	C-Inside calliper20-16-1	
9.3	80030822	Deep groove bearing-19-8-6	
9.4	80030861	Nylon washer-16-8-2	
9.5	03105132	Y-axis driven belt axle	
9.6	80030871	E-type outside calliper spring 8	
9.7	03105133	Tensioner base-Y	
10	80810525	Hexagon socket head cap screw-M5x25	
11	80900521	Nut-M5	
12	80900501	Plain washer-M5	
13	80900511	Spring shim-M5	
14	80810516	Hexagon socket head cap screw-M5x16	
15	80742305	Button headed flange cross screw-M3x5	
16	80810410	Cup headed hexagon screw-M4x10	
17	80810416	Cup headed hexagon screw-M4x16	
18	80742304	Button headed flange cross screw-M3x4	
19	80860410	Countersunk cross-M4x10	
20	80900313	Spring shim-M4	
21	80810308	Cup headed hexagon screw-M3x8	

11.Y-AXIS DRIVE SYSTEM

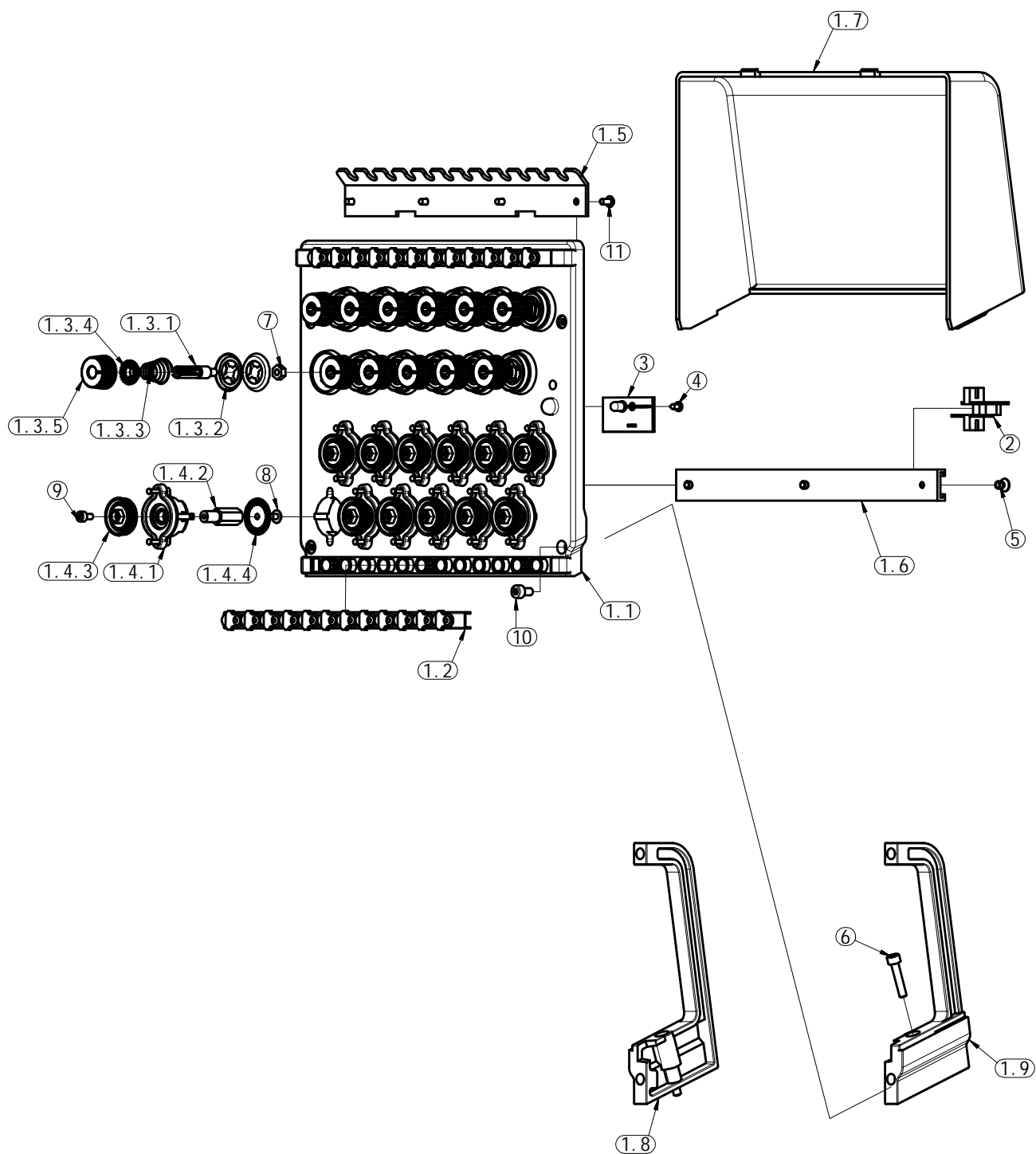


11.Y-axis Drive System

03110V1

22	80810625	Hexagon socket head cap screw-M6x25	
23	80900613	Spring shim-M6	
24	80900601	Plain washer-M6	
25	80880508	Hexagon socket fastening screw-M5x8	
26	80880506	Hexagon socket fastening screw-M5x6	
27	80810620	Hexagon socket head cap screw-M6x20	

12. Thread Tension Base

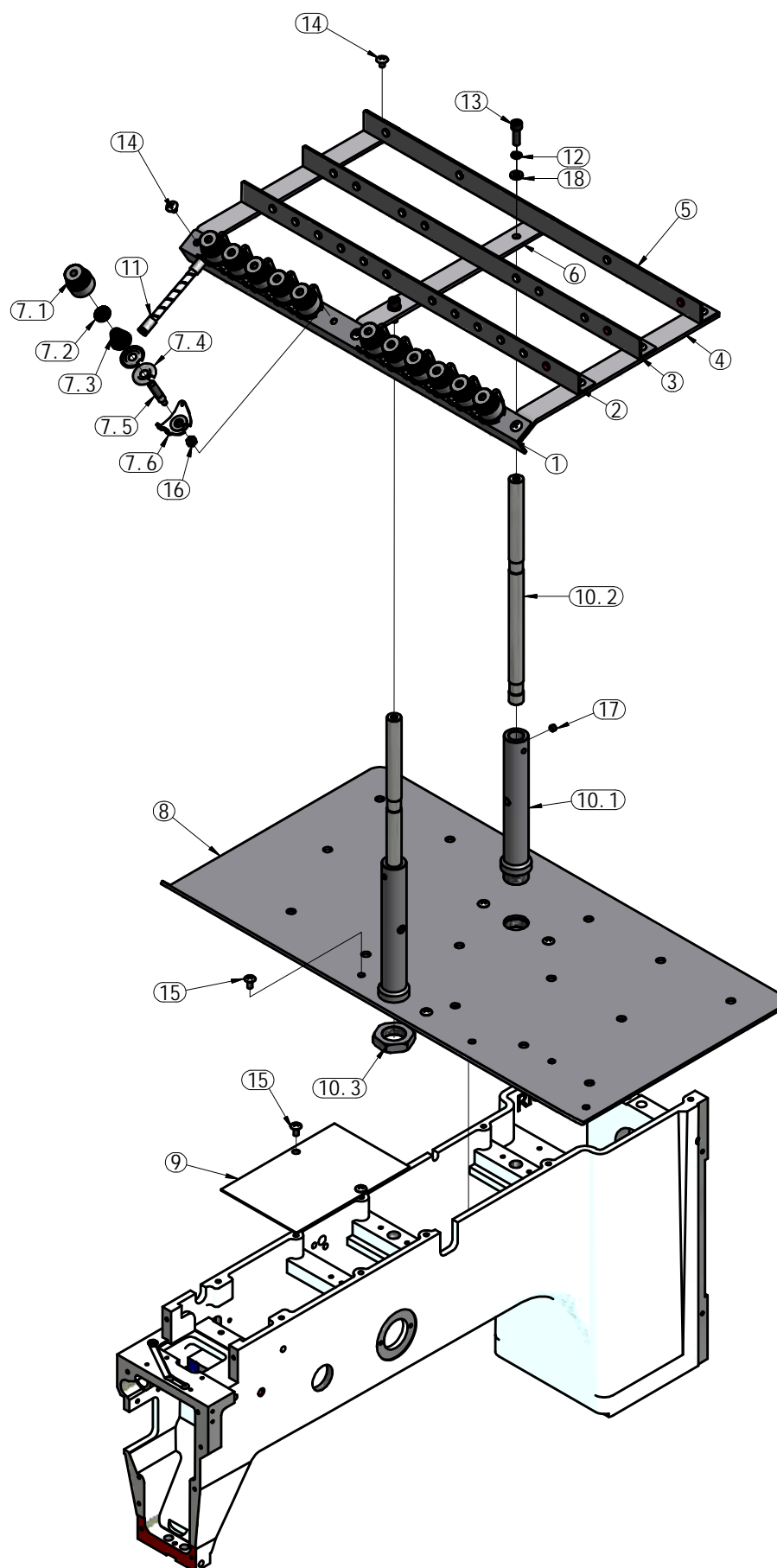


12.Thread tension part

03120V1

NO	Part Number	Parts Name	Remark
1	03144291	Thread trapper-12-RCM	
1	03144391	Thread trapper-15-RCM	
1.1	03144205	Thread trapper base-12	
1.1	03144305	Thread trapper base-15	
1.2	03144253	Guide line plate-12	
1.2	03144353	Guide line plate-15	
1.3	03144254	Rotary knob of thread trapper	
1.3.1	03144208	Bolt of thread trapper	
1.3.2	03144202	Thread trapper plate	
1.3.3	03144224	Thread trapper spring	
1.3.4	03144226	Lock washer	
1.3.5	03144207	Rotary knob of thread trapper	
1.4	03144252	Thread guiding wheel	
1.4.1	03144203	Thread guiding wheel base	
1.4.2	03144204	Thread guiding wheel axle	
1.4.3	03144251	Thread guiding wheel	
1.4.4	03144220	Baffle plate of check break	
1.5	03144210	Thread guiding tube support-12	
1.5	03144310	Thread guiding tube support-15	
1.6	03131221	Glide strip of check break base-12	
1.6	03131521	Glide strip of check break base-12 5	
1.7	03144212	Rear cover of thread trapper-12	
1.7	03144312	Rear cover of thread trapper-15	
1.8	03144214	Thread trapper bracket-Left	
1.9	03144215	Thread trapper bracket-Right	
2	03150801	Optocoupler plate-Check break	
3	03150802	Handpiece indicator ligh board	
4	80740306	Binding head tapping cross screw-M3x6	
5	80860406	Countersunk cross-M4x6	
6	80810420	Cup headed hexagon screw-M4x20	
7	80900428	Nut-M4	
8	80740304	Truss head cross screw-M3x4	
9	80810306	Cup headed hexagon screw-M3x6	
10	80810408	Cup headed hexagon screw-M4x8	
11	80740306	Truss head cross screw-M3x6	

13.THREAD STAND

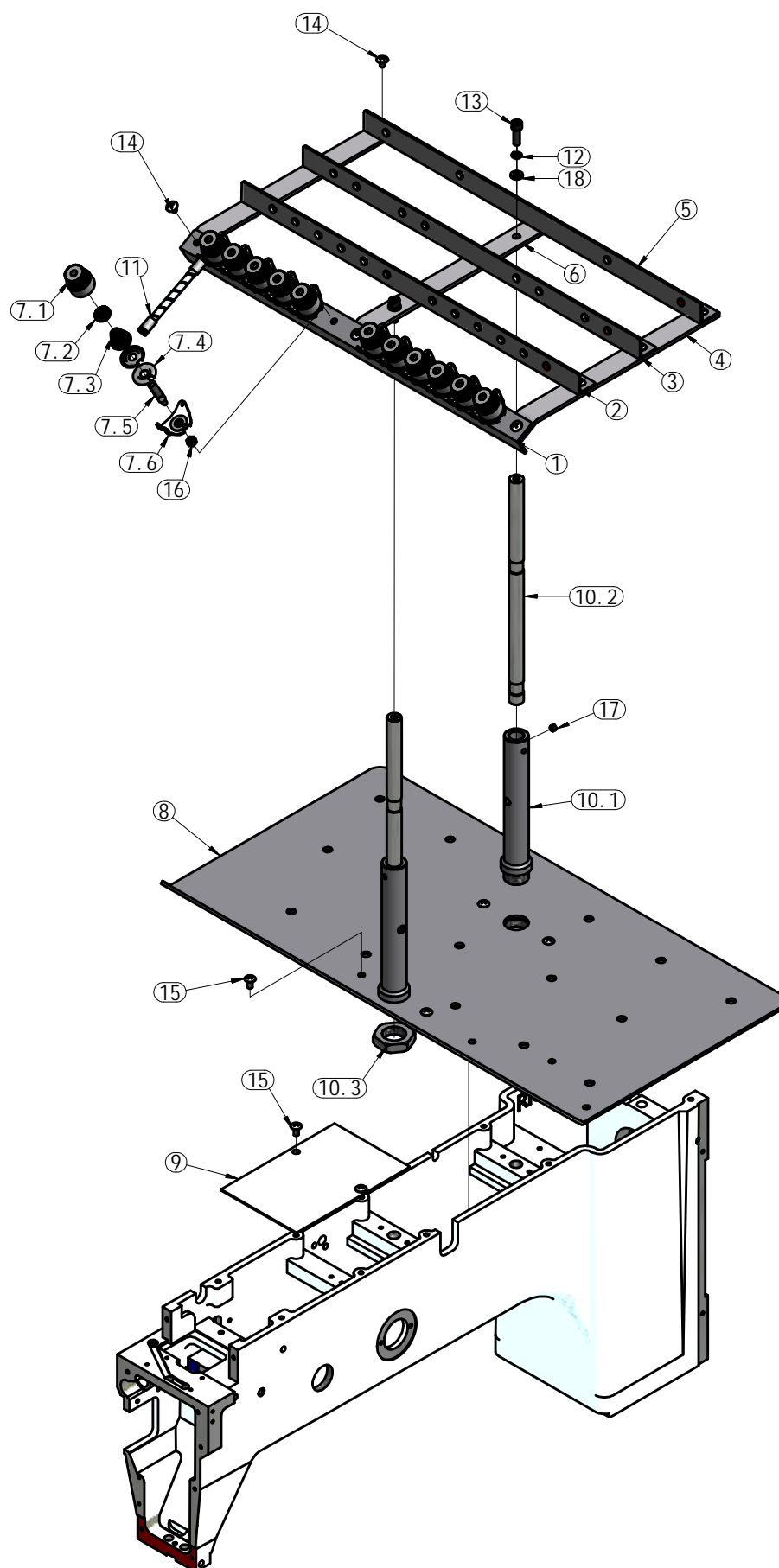


13.Thread Stand

03130V1

NO	Part Number	Parts Name	Remark
1	03044103	Thread stand A-12	
1	03044130	Thread stand A-15	
1	03044159	Thread stand A-06	
2	03044104	Thread stand B-12	
2	03044131	Thread stand B-15	
2	03044158	Thread stand B-06	
3	03044105	Thread stand C-12	
3	03044132	Thread stand C-15	
3	03044157	Thread stand C-06	
4	03044102	Thread stand bracket B	
5	03044106	Thread stand D-12	
3	03044133	Thread stand D-15	
3	03044156	Thread stand D-06	
6	03044101	Thread stand bracket A	
7	03044183	Adjusting knob set	
7.1	0304207	Adjustment knob	
7.2	03044155	Lock washer-Thread stand	
7.3	03144209	Tension spring-Wheel	
7.4	03144202	Thread trapper plate-Thread stand	
7.5	03144208	Wiring nail	
7.6	03141001	Thread guide plate of thread stand	
8	03044114	Thread coil-12/15	
8	03044109	Thread coil-06	8
9	03040127	Arm cover-Upper	
10	03044152	Lifting column	
10.1	03044145	Column shaft sleeve of thread stand	
10.2	03044147	Thread stand column-adjustable	
10.3	3006091014	Column nut of thread stand M20	
11	03044360	Thread guide tube-Spiral	
12	80900513	Spring shim-M5	
13	80810516	Hexagon socket head cap screwM5x16	
14	80746406	Round headed cross screw-M4x6	
15	80746408	Round headed cross screw-M4x8	

13.THREAD STAND

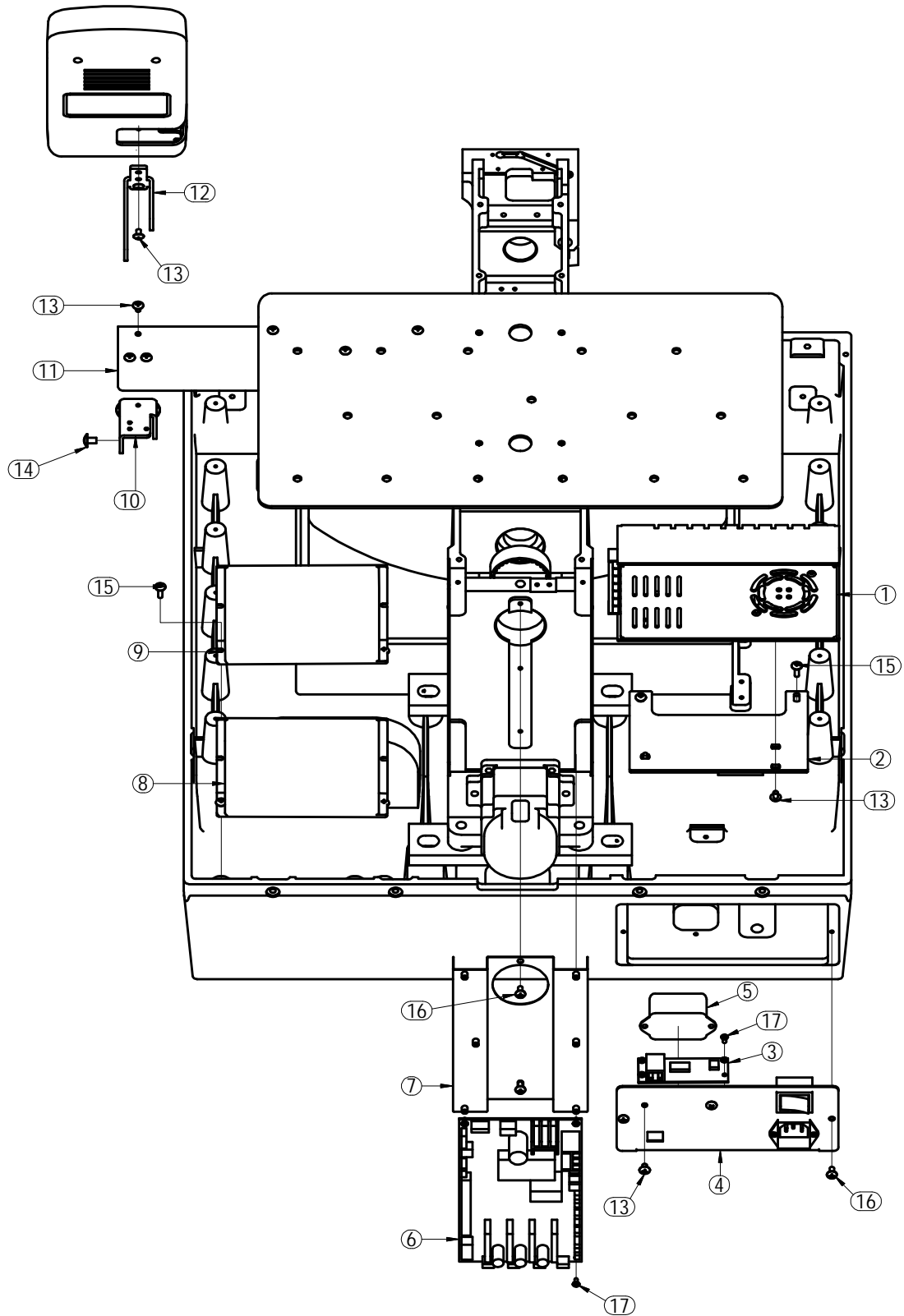


13.Thread Stand

03130V1

16	80900428	Nut-M4	
17	80880504	Hexagon socket fastening screw-M5x4	
18	80900501	Plain washer-M5	

14. ELECTRICAL PARTS

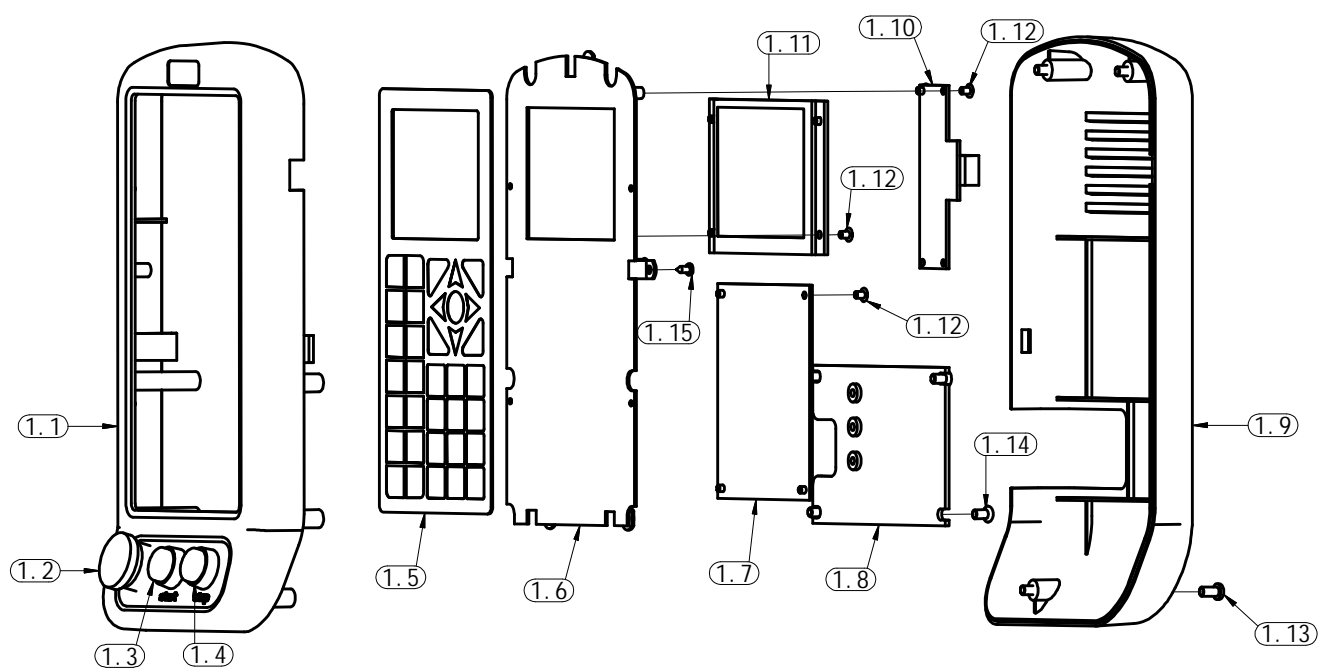


14.Electric Control-1

03140V1

NO	Part Number	Parts Name	Remark
1	03150560	Switching power supply-HF200W-SC-36	
2	03150901	Bracket-switching power supply	
3	03150601	Interface board-Network	
4	03151604	Bracket- Power switch	
5	03151605	Filter	
6	03150715	Circuit board-TZA-SMFV10	
7	03150707	Layer board--TZA-SMFV10	
8	03150460	Driver-Principle axis	
9	03150360	Driver-XY	
10	03044202	Bracket base-Faceplate	
11	03044210	Bracket base-Faceplate-12/15	
11-1	03044211	Bracket base-Faceplate-6	
12	03044203	Bracket base-Faceplate	
13	80746406	Round headed cross screw-M4x6	
14	80746508	Truss head cross screw-M5x8	
15	80746412	Round headed cross screw-M4x12	
16	80746408	Round headed cross screw-M4x8	
17	80742306	Button headed flange cross screw-M3x6	

15. OPERATION PANEL-RCM-2

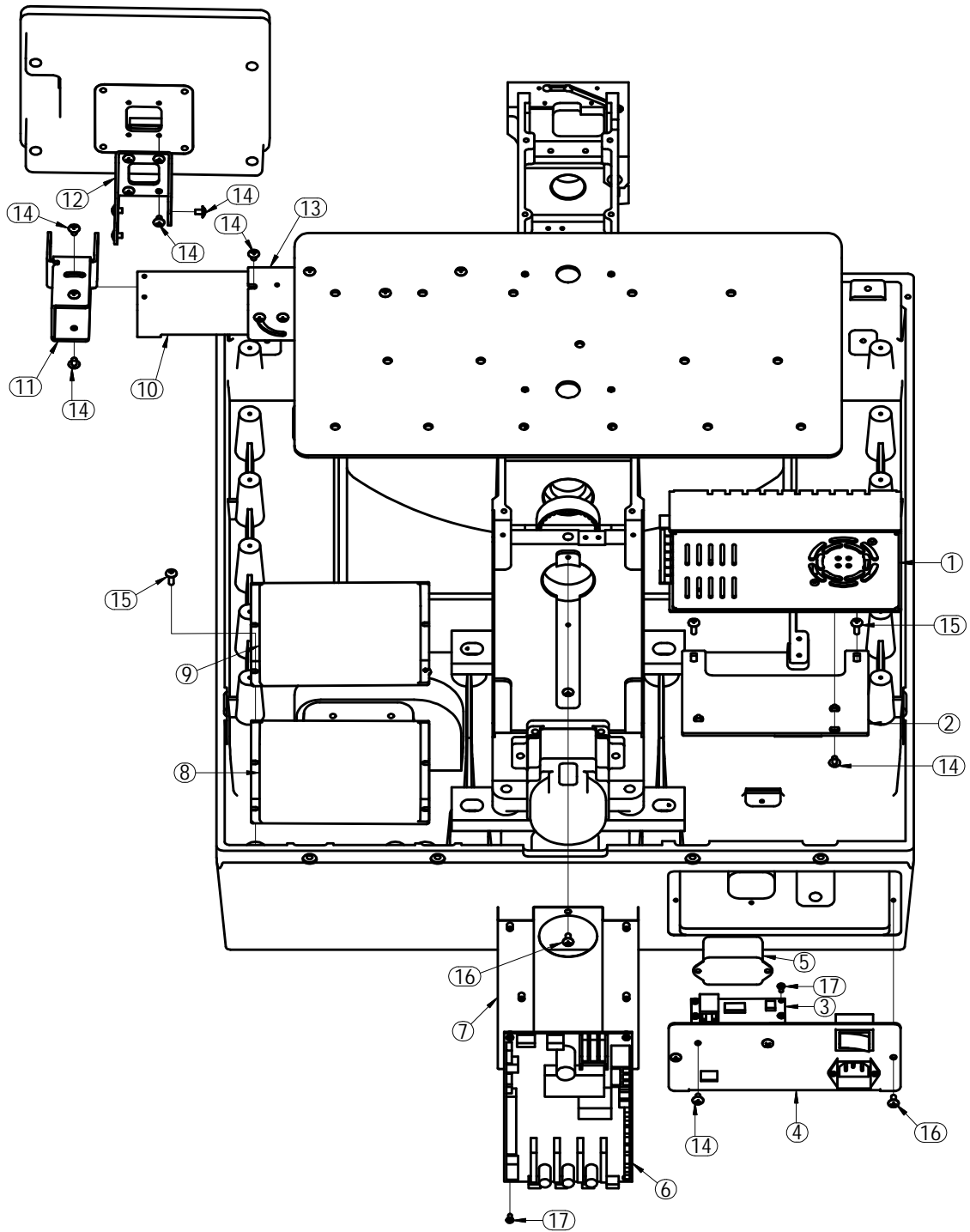


15.Operation Panel-RCM

03150V1

NO	Part Number	Parts Name	Remark
1	03150261	Operation panel-RCM	
1.1	03150201	Operation panel-Front cover	
1.2	03150231	Emergency stop button	
1.3	03150232	Button-Start	
1.4	03150233	Button-Stop	
1.5	03150210	Key membrane-RCM	
1.6	03150207	Support plate for keys	
1.7	03150204	Mainboard	
1.8	03150105	Support plate for oeprating head	
1.9	03150102	Operation panel-Rear cover	
1.10	03150206	Interface board-USB	
1.11	03150207	Screen- 3.7 inches	
1.12	80742305	Button headed flange cross screw-M3x5	
1.13	80740408	Small round headed cross screw-M4x8	
1.14	80740401	Small round headed cross screw-M4x6	
1.15	80700111	Binding headed tapping cross screw-M3x10	

16. TABLE GUARD COVER

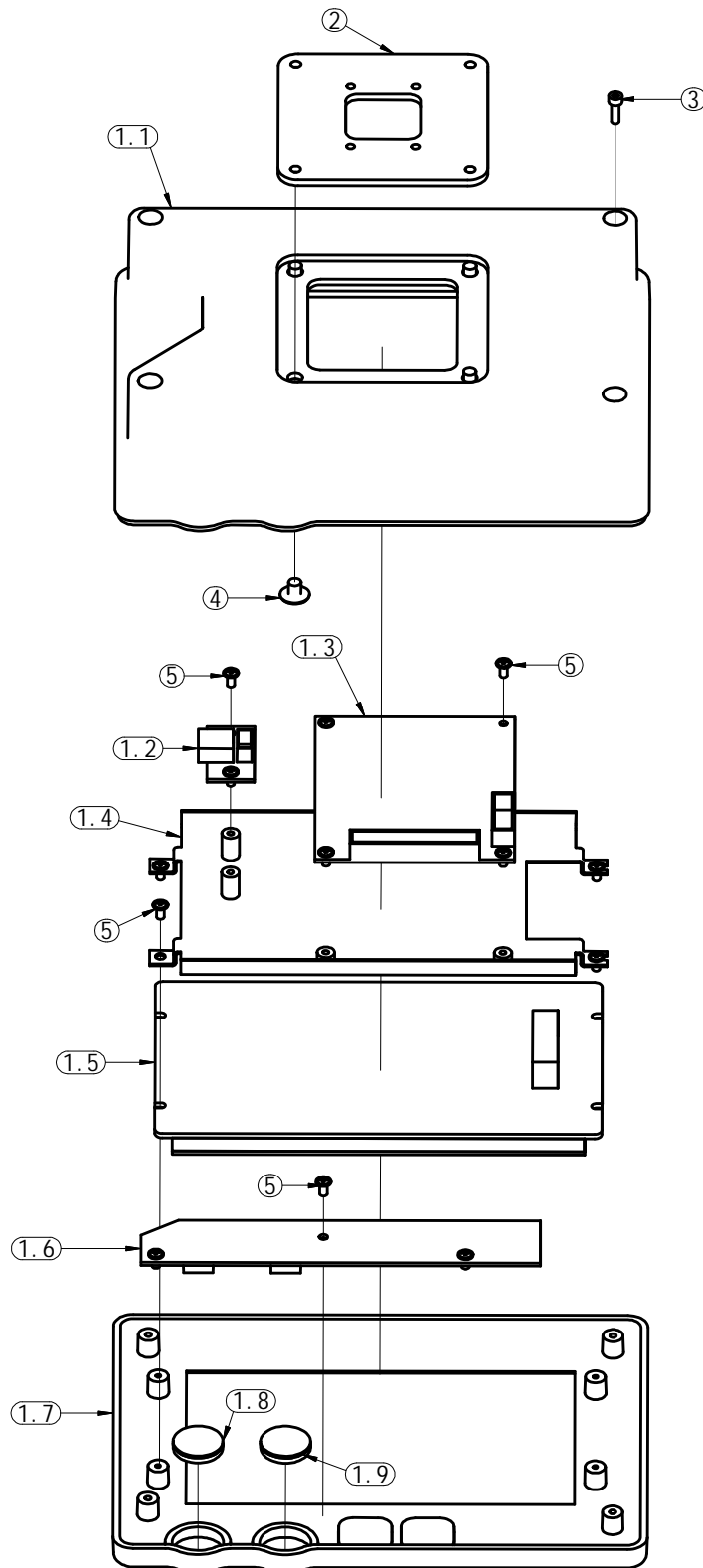


16.Electric control part-7"

03160V1

NO	Part Number	Parts Name	Remark
1	03150560	Switching power supply-HF200W-SC-36	
2	03150901	Bracket-switching power supply	
3	03150206BA	Interface board-Network	
4	03151604	Bracket- Power switch	
5	03151605	Filter	
6	03150705CA	Circuit board-7-TZA-SMFV10	
7	03150707	Layer board--TZA-SMFV10	
8	03150460	Driver-Main axis	
9	03150360	Driver-XY	
10	03151502	Auxiliary support	
11	03151503	Adaptor	
12	03151504	Rear support	
13	03151501	Main support	
14	80746406	Round headed cross screw-M4x6	
15	80746412	Round headed cross screw-M4x12	
16	80746408	Round headed cross screw-M4x8	
17	80742306	Button headed flange cross screw-M3x6	

17. TABLE GUARD COVER

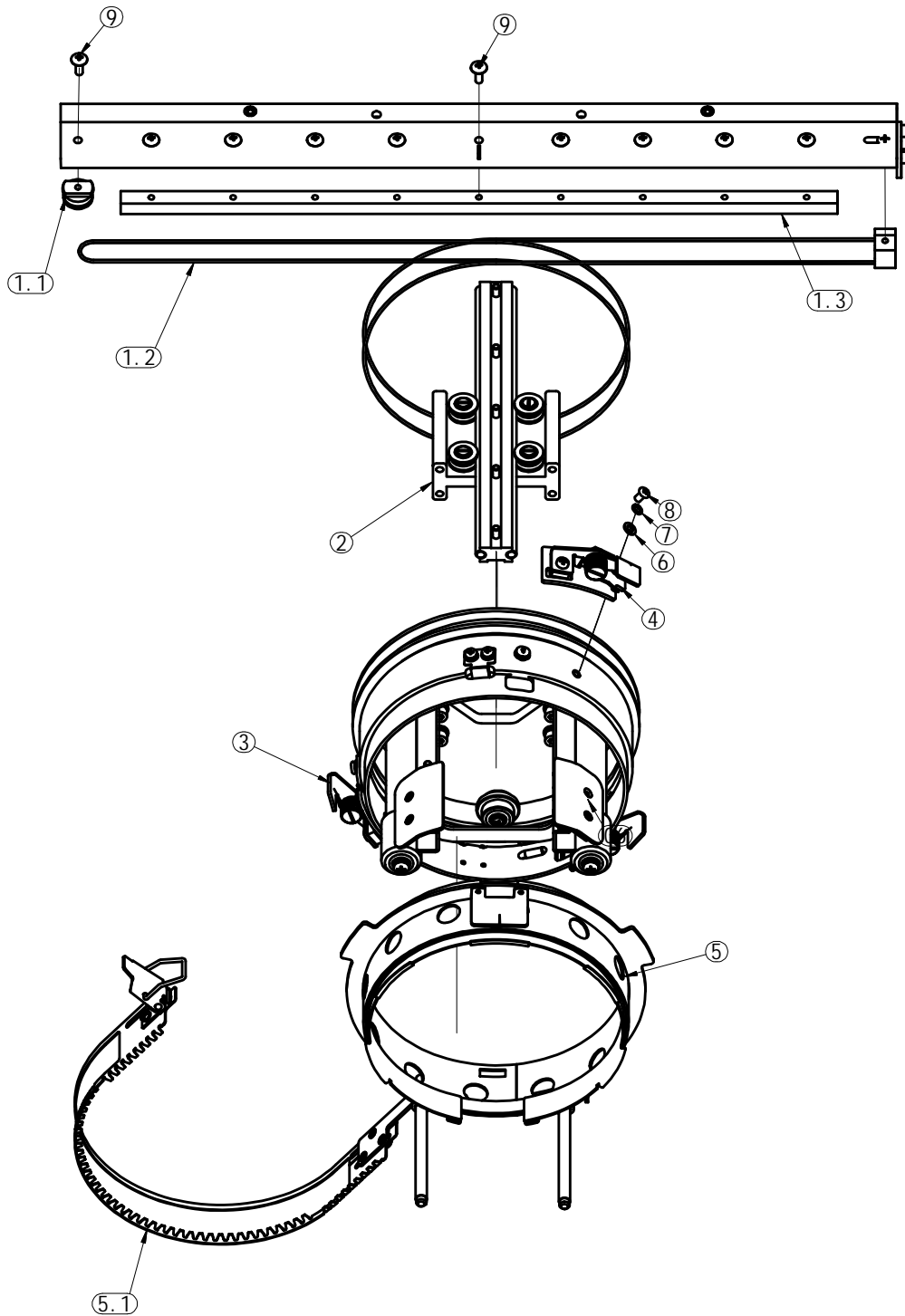


17.Operation Panel-7"

03170V1

NO	Part Number	Parts Name	Remark
1	03151561	Operation panel-7	
1.1	03151551	Operation panel-Rear cover-7	
1.2	03150206CA	USB interface board-OEM	
1.3	031500204CA	Main board-7	
1.4	03151513	Bracket-Mainboard	
1.5	03151511	LCD-7	
1.6	03151512	Keyboard plate	
1.7	03151550	Operation panel-Front cover-7	
1.8	03151553	Button-Start	
1.9	03151552	Button-Stop	
2	03151505	Rear support plate	
3	80810310	Cup headed hexagon screw-M3x10	
4	80746506	Truss head cross screw-M5x6	
5	80742306	Button headed flange cross screw-M3x6	

18. CAP FRAME

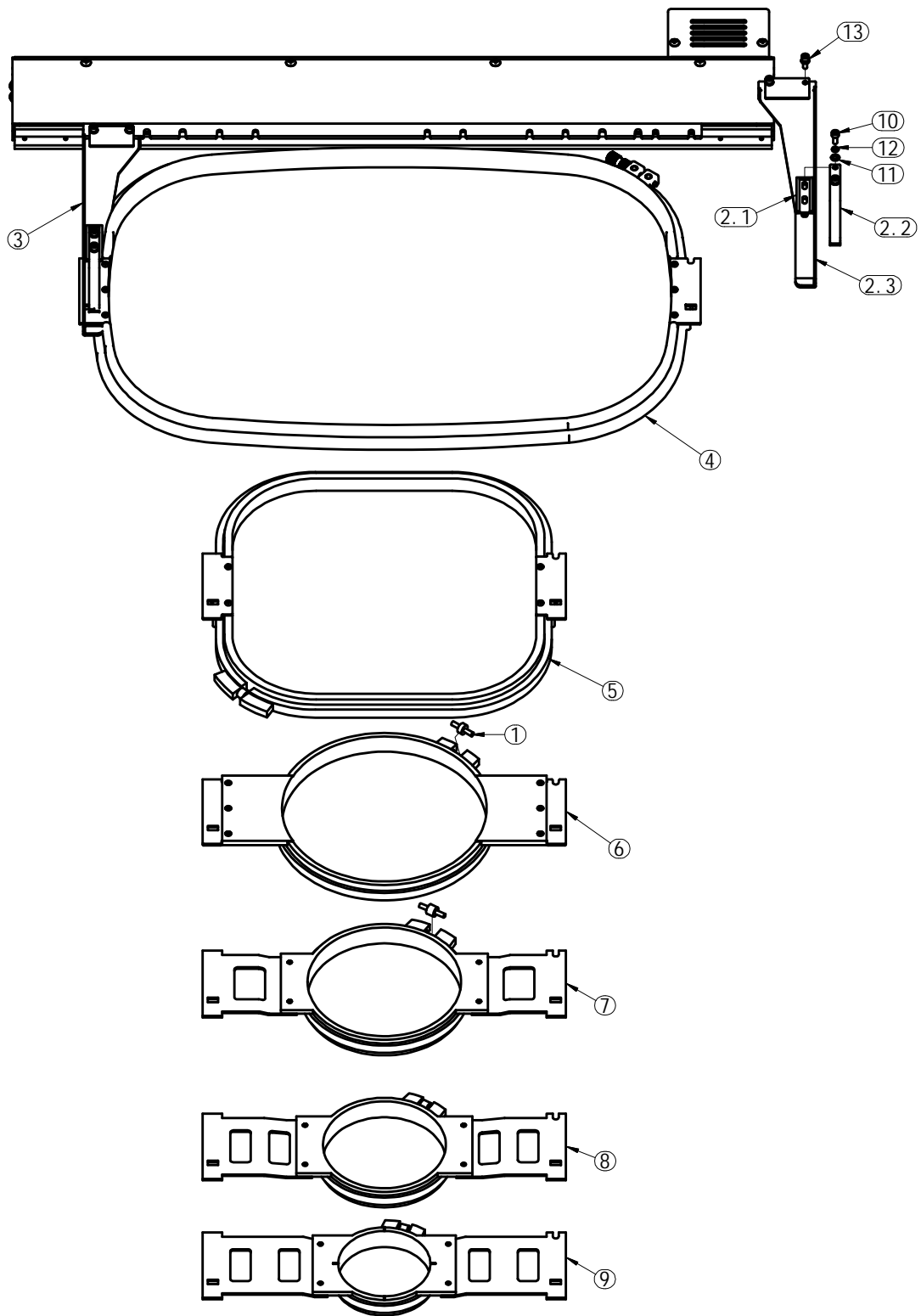


18.Cap Frame

03180V1

NO	Part Number	Parts Name	Remark
1.1	02815008	Wire wheel	
1.2	02815050	Wire wheel-P	
1.3	02815041	Driving strip of hatstand-P	
2	02815039	Lower guide rail suite of hatstand	
3	02810870	Clamp A	
4	02810871	Clamp B	
5	02811080	Hat clip	
5.1	02811082	Bunch-Hatstand	
6	80900408	Plain washer- M4	
7	80900415	spring shim-M4	
8	80740401	Small round headed cross screw-M4x6	
9	80746412	Round headed cross screw-M4x8	

19. FRAME

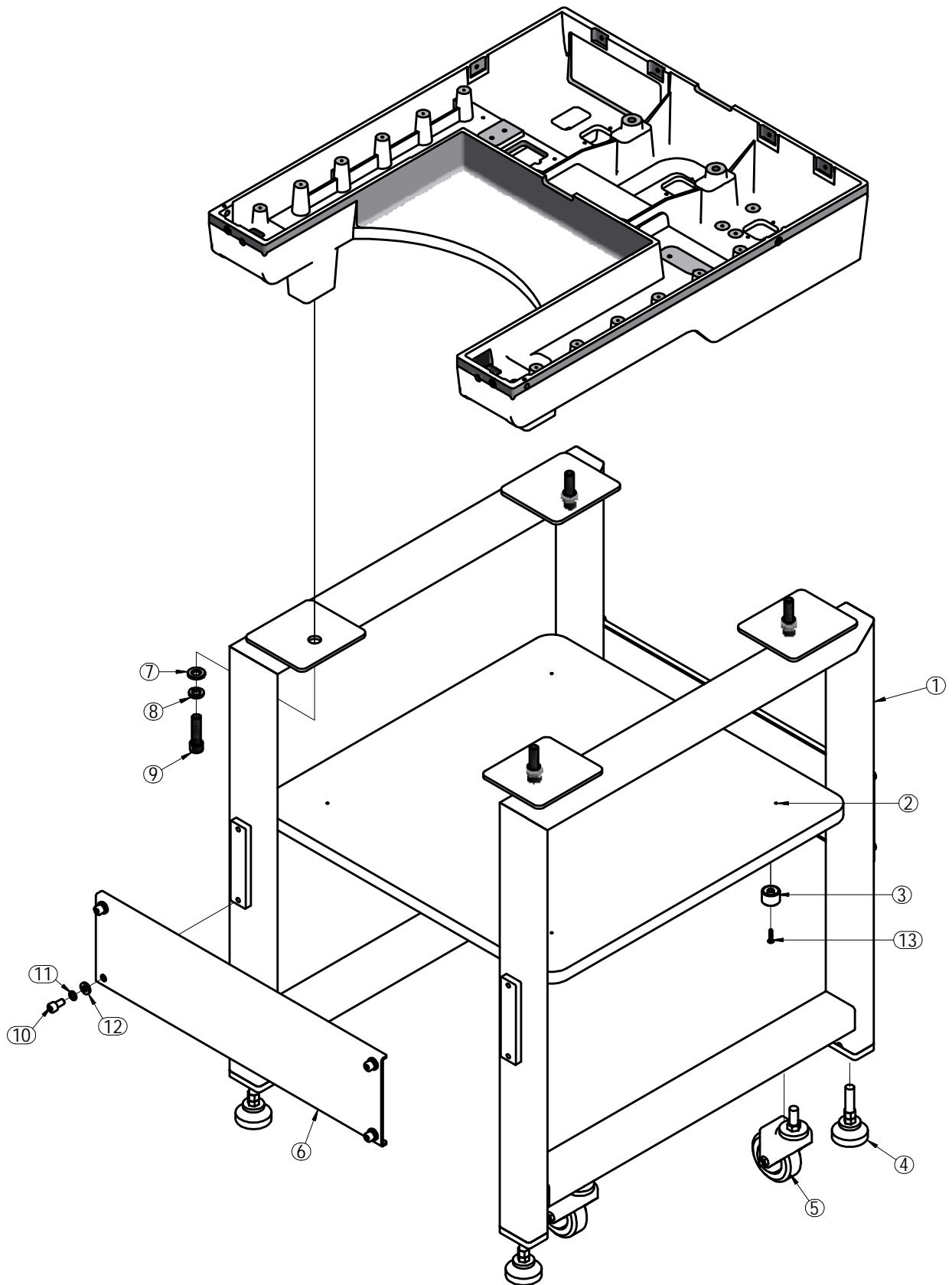


19.Frame

03190V1

NO	Part Number	Parts Name	Remark
1	03171102	Tensioner screw of tabouret	
2	3100291	Bracket set of tabouret-Right	
2.1	03100212	Tabletting base	
2.2	03100205	Tabletting spring of tabouret	
2.3	03100211	Right frame bracket	
3	03100292	Bracket set of tabouret-Left	
4	03173691	Square tabouret-540x360	
5	03173181	Square tabouret-290x290	
6	03172681	Round tabouret-200	
7	03172181	Round tabouret-150	
8	03171681	Round tabouret-120	
9	03171181	Round tabouret-90	
10	80813410	Cup headed hexagon screw-M4x10	
11	80900401	Plain washer-M4	
12	80900418	Spring shim-M4	
13	80813582	Cup headed hexagon screw-M5x16	

20. Stand

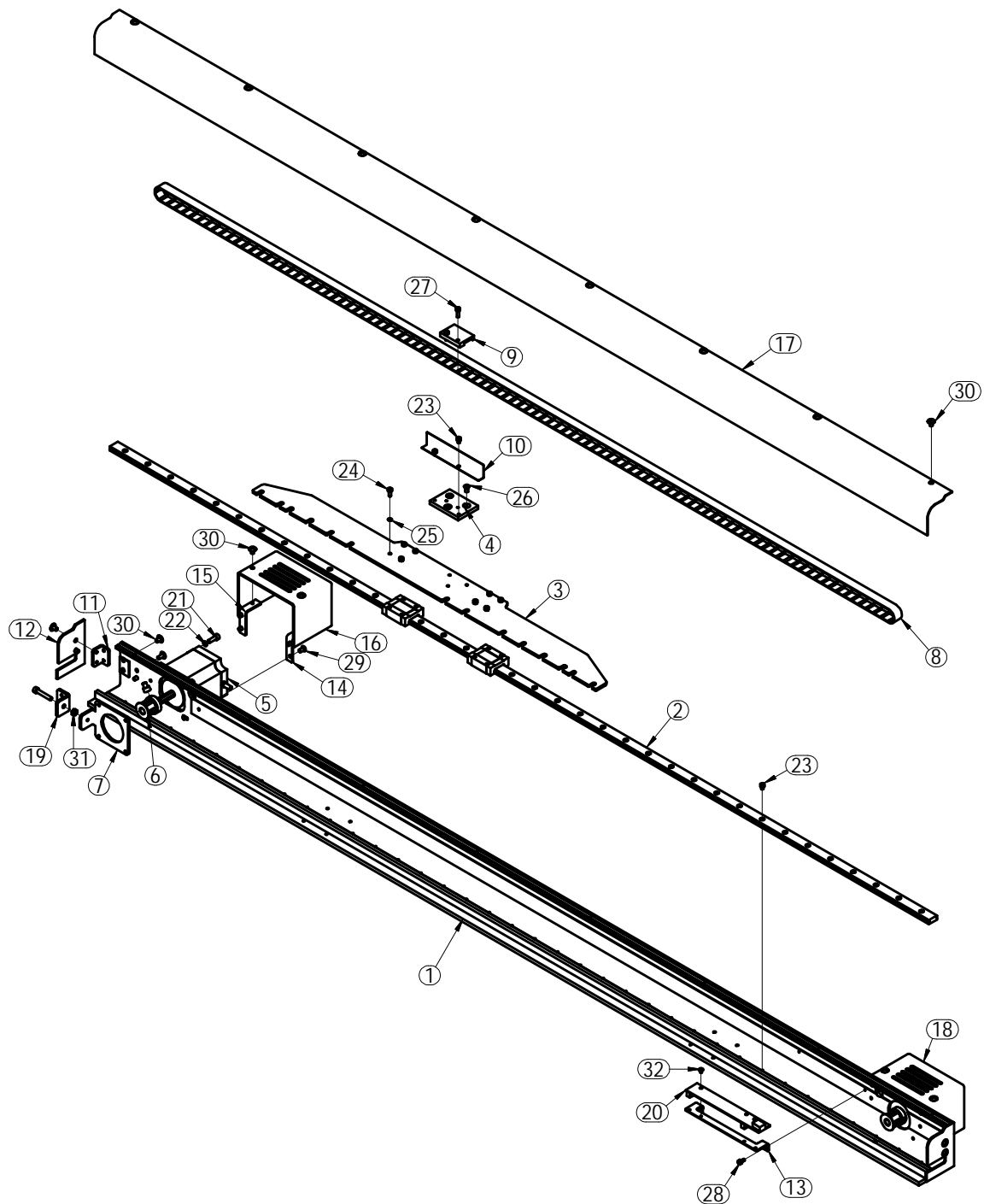


20.Stand

03200V1

NO	Part Number	Parts Name	Remark
1	03012721	Stand-PT-FG	
2	03012725	Stand platen-Lower-FG	
3	03010304	Cushion block-Platen	
4	80270832	Stand leg-FD50-12100	
5	80270501	Common screw rod-3" plane high-intensity polyurethane	
6	03012711	Connecting plate-PT-FG	
7	80901202	Plain wahser-M12	
8	80901201	Spring shim-M12	
9	80811245	Hexagon socket head cap screw-M12x45	
10	80813816	Hexagon socket head cap screw-M8x16	
11	80900818	Spring shim-M8	
12	80410802	Plain wahser-M8	
13	80700103	Round headed tapping screw-cross-M3.5x20	

21. X-axis Drive System-EW4814

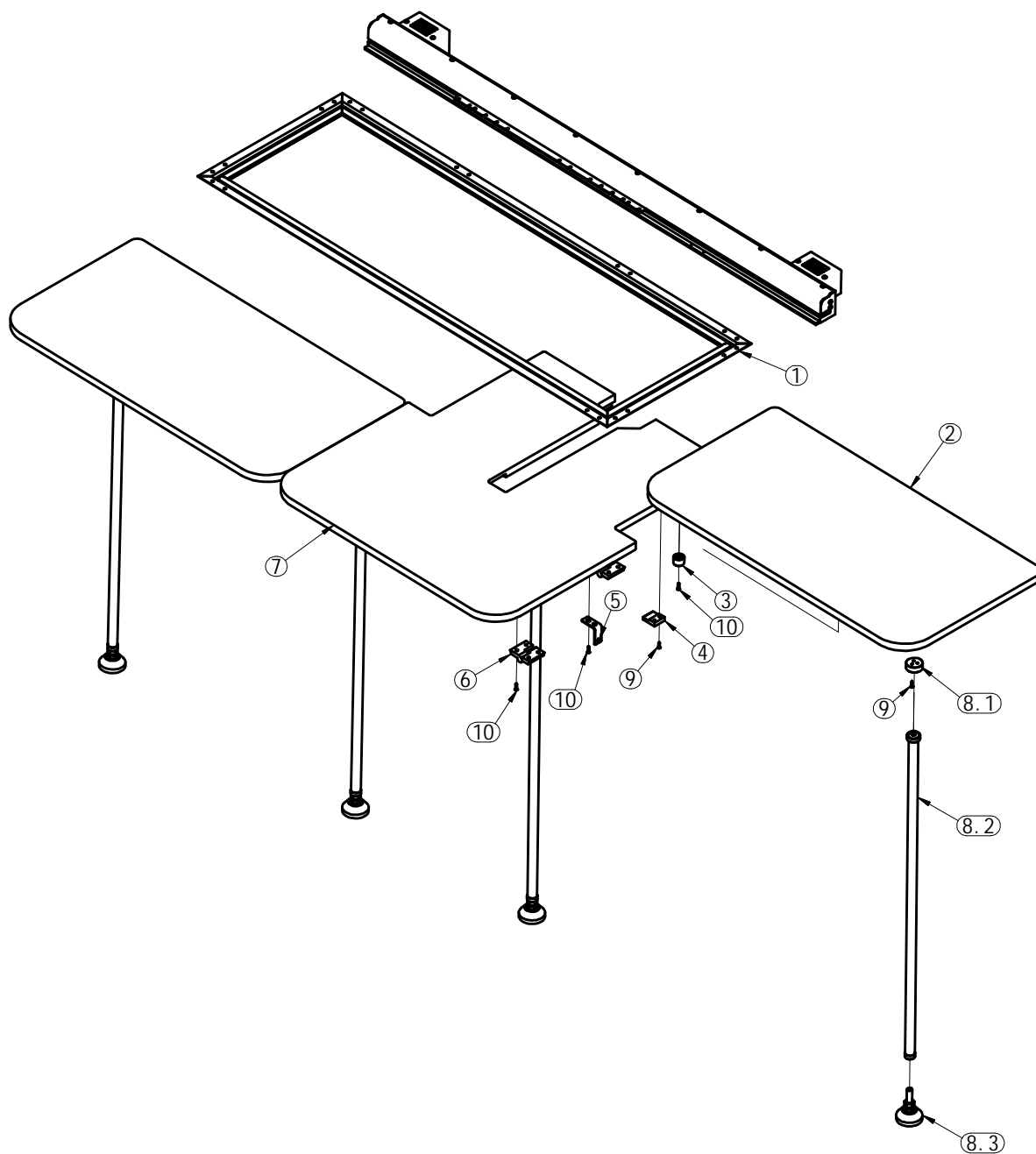


21.X-axis driving device-EW4814

03210V1

NO	Part Number	Parts Name	Remark
1	03100151	X-axis driving bracket-Broaden	
2	80015117	Linear guideway FN-BRH15-2-1440	
3	03100131CA	Connecting plate-X-Plain plate	
4	03100104	Briquetting-Connecting plate	
5	80308630	Triphase-60BYGH64S8F25	
6	80023601	Belt wheel-3M-20-15-H8	
7	03175225	Mounting plate-Motor	
8	03175250	Synchronous belt-X-1200	
9	03100108	Briquetting-X-Belt	
10	03100112	Baffle-Limit-X	
11	03100117	Driving cover support-X	
12	03100118	Driving cover-X	
13	03100110	Mounting bracket of X-axis limit	
14	03100122	Motor cover stand-X-Left	
15	03100123	Motor cover stand--X-Right	
16	03100121	Motor cover-X	
17	03100156	X-axis driving stand cover-1440	
18	03100121AB	X motor cover	
19	03100107	Mounting plate-Tensioner-X	
20	03150820	Optocoupler plate-Limit XY	
21	80810412	Cup headed hexagon screw-M4x12	
22	80900413	Spring shim-M4	
23	80810304	Cup headed hexagon screw-M3x4	
24	80810308	Cup headed hexagon screw-M3x8	
25	80900313	Spring shim-M3	
26	80860408	Countersunk cross-M4x8	
27	80810310	Cup headed hexagon screw- M3x10	
28	80810306	Cup headed hexagon screw-M3x6	
29	80740401	Small round headed cross screw-M4x6	
30	80746406	Round headed cross screw-M4x6	
31	80900461	Nut-M4	
32	80742304	Button headed flange cross screw-M3x4	

22. Tabl e-EW4814

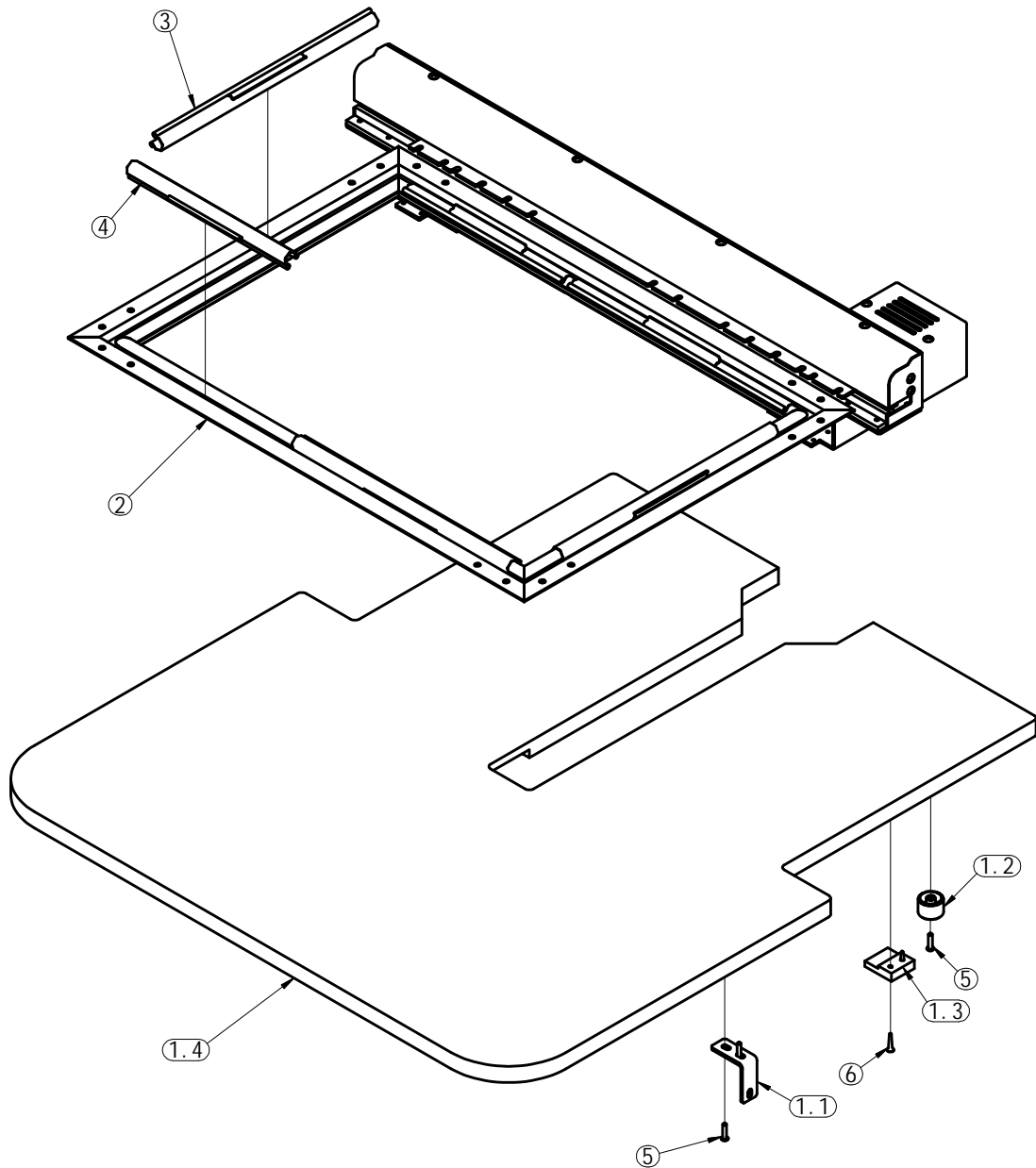


22.EW4814 device part

03220V1

NO	Part Number	Parts Name	Remark
1	03175260	Plain tabouret set-EW4814	
2	03010322	Large platen of plain embroidery-DT-1200-Side plate	
3	03010304	Platen cushion	
4	02730201	Plastic fixture block of platen	
5	03010302	Mounting plate-Platen	
6	03010319	Hinge	
7	03010315	Platen—DT-EW4814	
8	03010365	Platen support suite	
8.1	03010313	Magnet base-Platen stand	
8.2	03010325	Grounding support pillar-1.2m Platen	
8.3	80270832	Nylon foot cup-ZGD-60-1250	
9	80700303	Countersunk tapping screw-M3.5X20 screw	
10	80700121	Round headed tapping screw-M3.5x16 Screw	

23. Aluminum frame-W2214



23.Table-W2214

03230V1

NO	Part Number	Parts Name	Remark
1	03010365	Plain embroidery platen component-EW2214	
1.1	03010302	Platen support plate	
1.2	03010304	Platen cushion block	
1.3	02730201	Plastic fixture block of platen	
1.4	03010315	DT-Plain embroidery platen-Common	
2	03175180	Plain tabouret-W2214	
3	01505101	Feed Collet-300	
4	01505102	Feed Collet-220	
4	80700121	Round headed tapping screw-M3.5X16	
6	80700303	Countersunk tapping screw-M3.5X20	



**SINGLE HEAD
PARTS LIST**