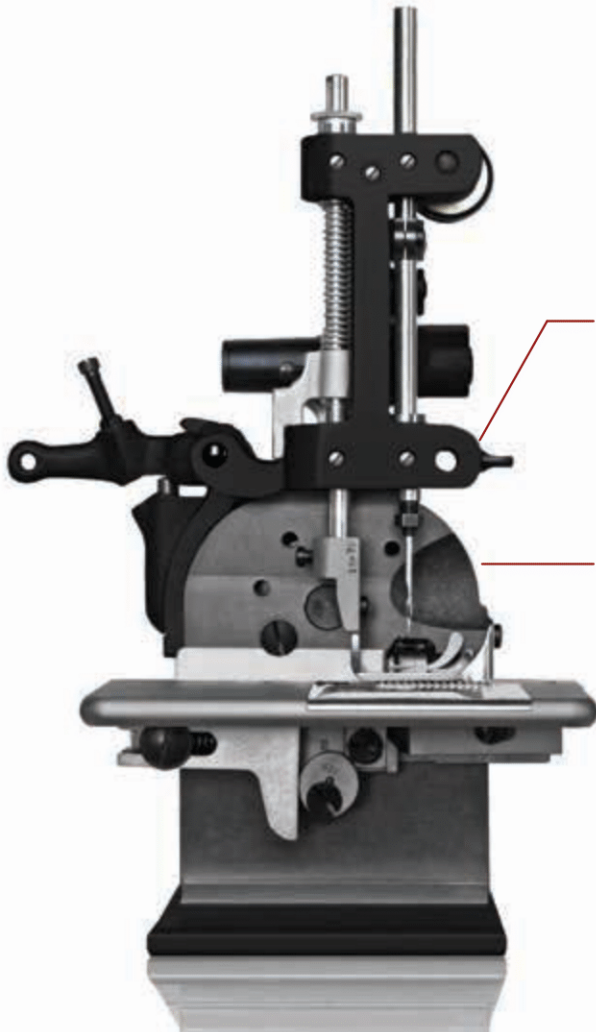


MERROW®

SEWING MACHINE COMPANY

- BLANKETS
- HATS
- PLAY MATS
- SCARVES

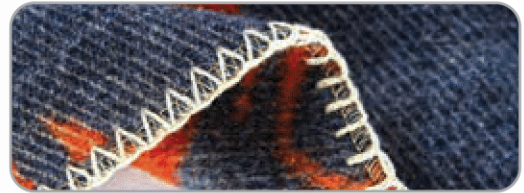


Hand Built, Cam Driven construction for the most distinct crochet stitch on any garment

Uses the latch hook system pioneered and perfected by Merrow

MERROW 18-E SPECIFICATIONS

OPERATING SPEED:	1200 Rpm
STANDARD STITCH ECCENTRIC :	4 spi
STITCH ECCENTRIC RANGE :	4-10 spi
STANDARD NEEDLE :	10
NEEDLE RANGE:	8, 10H, 11
STITCH TYPE	CROCHET
STITCH WIDTH :	1/2" (12.7mm)
NUMBER OF THREADS	1



18-E

INDUSTRIAL FLAT EDGE CROCHET MACHINE



FEATURES

- Sews Flat $\frac{3}{8}$ " to $\frac{1}{2}$ " Crochet Stitch
- Hand Built
- Made in the USA

MODEL VARIATIONS

- 18-A
- 18-S
- 18-G



Hobkirk Sewing Machines Ltd
118 - 130 Darwen Street | Blackburn | BB2 2AJ | United Kingdom

01254 693555 | info@hobkirk.co.uk | www.hobkirk.co.uk