



HORN OVERLOCKER CADDY

The Horn Overlocking Caddy is an amazing blend of storage and expandable workspace!

Not only does the rear leaf open up, the unit itself can extend to give you that extra surface space you need.

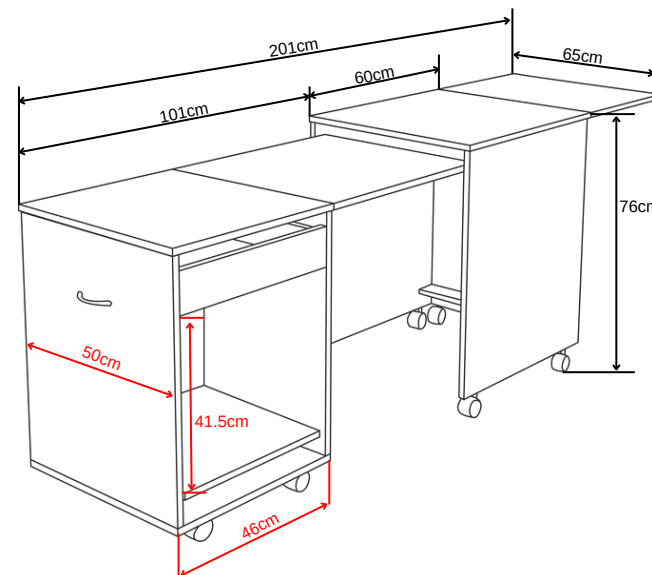


- 1 Expandable worksurface that retracts to fit in practically any space.
- 2 Convenient sliding shelf to store your Overlocker and also a drawer for accessories.
- 3 Robust, lockable castors allow easy mobility.
- 4 Modular caddy can fit with the Horn 860 and Drawer Caddy to create a huge, seamless worksurface.
- 5 Sleek, clean finish.

The slide out tray & drawer can be assembled so that it is accessible from either side of the cabinet, just let us know when you order which side you want to access your machine from.

Fully Closed

W 65cm (25 1/2")
D 60cm (24")
H 76cm (30")



Available in:

