



NEW!
Easy to use
electric lift!

HORN 860

An electrifying addition!

We are proud to introduce our newest modular range! With an electric lift it's never been easier to set up your crafting space.

The main bi-folding door slides open and slots into the side to reveal three integrated shelves and a clever space at the back to hold either the inset or colour-matched filler piece.

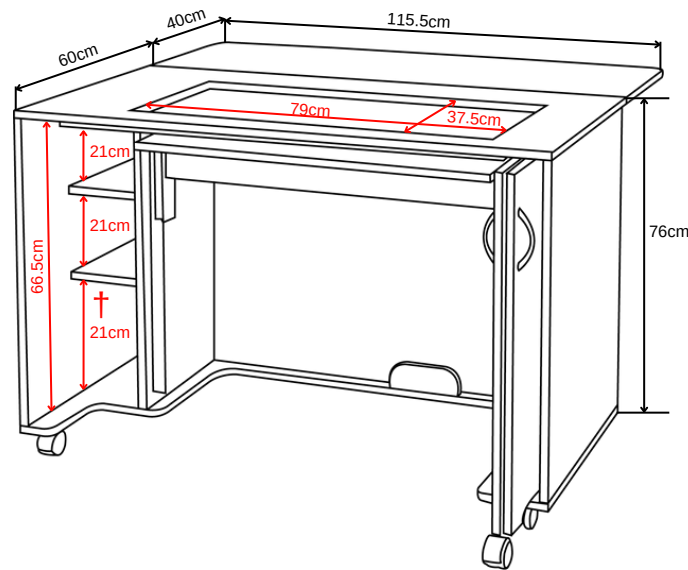


This cabinet in combination with either our modular 5-Drawer Caddy (pg.5) or our Overlocker Caddy (pg.3-4) or both together will give you an unrivalled sewing experience.



The electric lift is easily programmable, able to remember up to 3 different positions.

Our largest ever aperture! This is our SuperMaxi opening, and can accommodate even the largest of domestic sewing machines, such as the Janome Continental Series, Husqvarna Epic 3, Brother Luminaire, etc.



Fully Closed

W 115.5cm (45 1/2")
D 60cm (24")
H 76cm (30")

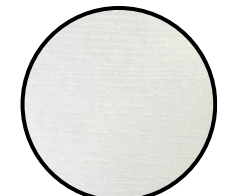
† Shelf heights are adjustable

- 1 Electric lift raises and lowers your sewing machine at the touch of a button.
- 2 Internal, adjustable shelves for your tools and accessories, and storage for the aperture inset & top filler board.
- 3 Robust lockable castors allow easy mobility.
- 4 Rear leaf opens up to provide even more working space behind your machine.
- 5 Compact, sleek finish.



Need a chair?
See pg.30 of the main brochure for more information

Available in:



White